

4.8' w x 4.2' h
conc box culv
with arch top

Slope = 2%

MER

538.9

538.3

BH02
TH02
EP00

BH00
TH00
EP01

CU00

560

560

550

550

540

540

530

530

520

520

-40

-30

-20

-10

0

10

20

30

40

-40

-30

-20

-10

0

10

20

30

40

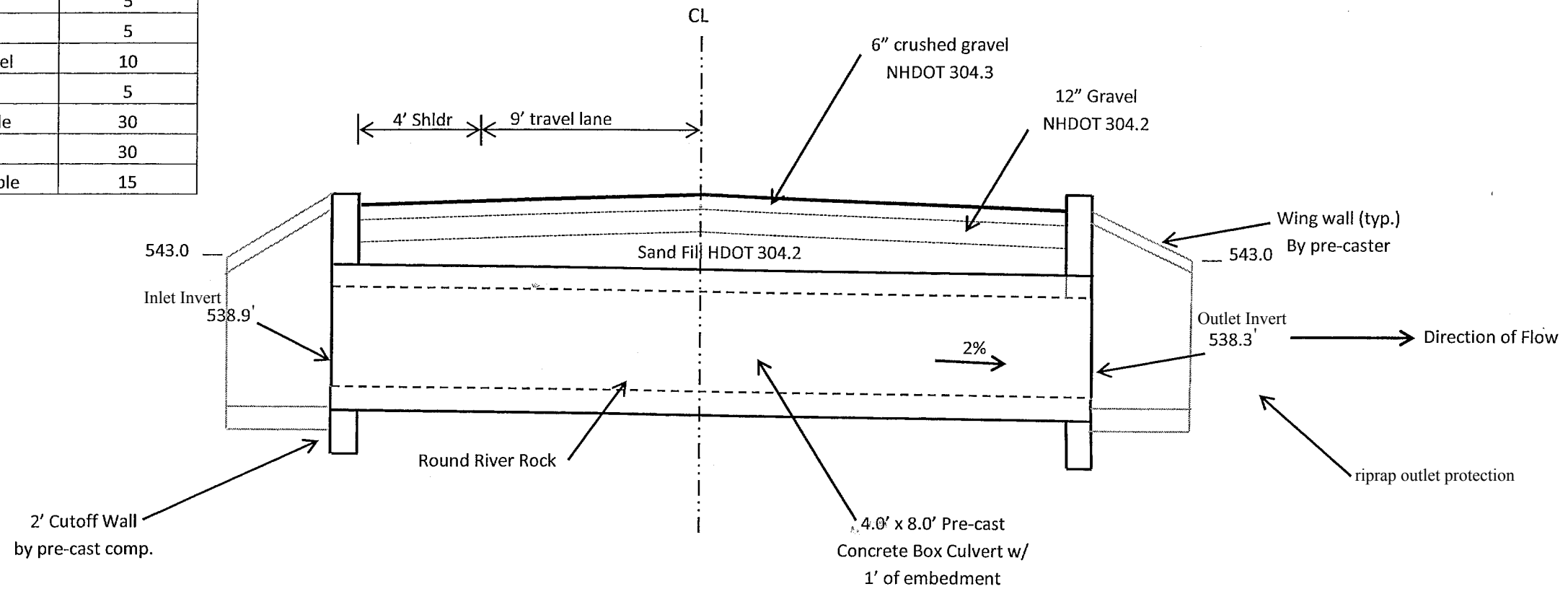
LOOA

LOOA

Streambed Fill shall consist of natural field stone or natural river rock. Crushed stone from a quarry or other sources will not be permitted. Stone gradation will approximate the following size distribution; amounts finer than each Laboratory sieve(square openings) (percent by weight):

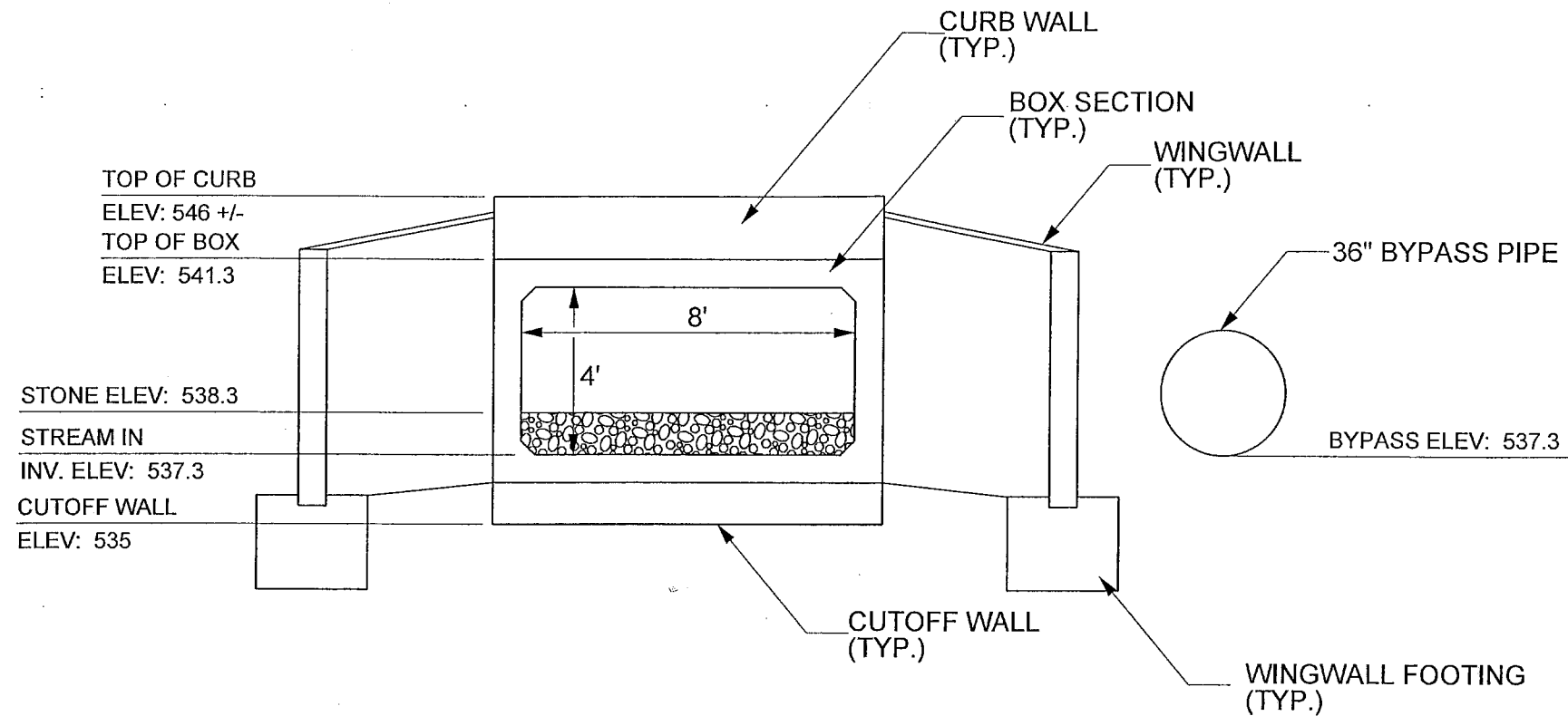
Size [inches]	Material	Percentage
.01"	Sand	5
.07"	Coarse Sand	5
1 1/2" - 2"	Bank Run Gravel	10
2"-4"	Small Cobble	5
4"-8"	Medium Cobble	30
8"-10"	Large Cobble	30
10"-12"	Very Large Cobble	15

The size of the individual stone particle will be determined by measuring its diameter across the intermediate axis. Stone particles shall be tough, dense, resistant to the action of air and water, and suitable in all respects for the purpose intended. Streambed fill may contain small amounts of fine aggregate but shall contain no amount of soil material.



**PAGE BROOK
BOX CULVERT SECTION
1" = 5' +/-**

**NHDOT PROJ. # 41890
MEREDITH NECK ROAD
MEREDITH, NH**



WINGWALL & BOX CULVERT END SECTION VIEW

NOT TO SCALE

PRECAST BOX CULVERT & WINGWALL NOTES:

1. ALL DETAILS SHOWN ARE REASONABLE GRAPHIC REPRESENTATIONS OF THE PROPOSED STRUCTURES AND ARE NOT FOR CONSTRUCTION (ENGINEERED SHOP DRAWINGS TO BE PROVIDED BY MANUFACTURER PRIOR TO CONSTRUCTION).
2. THE DETAILS REPRESENTED ON THIS SHEET ARE NOT SITE SPECIFIC AND ARE INCLUDED TO DEMONSTRATE DESIGN INTENT ONLY. FINAL ELEVATIONS ABOVE STREAM BED ARE TO BE DETERMINED BY PRECAST CONSTRUCTION METHODS.
3. ALL SUBGRADE AND BEDDING DEPTHS AND SPECIFICATIONS FOR BOX CULVERT & WINGWALL FOOTING INSTALLATION TO BE PROVIDED BY OTHERS PRIOR TO CONSTRUCTION (GEOTECHNICAL INVESTIGATION AND SPECIFICATION BY OTHERS).

NHDOT Project #41890
 Page Brook
 Meredith Neck Road
 Meredith, NH

