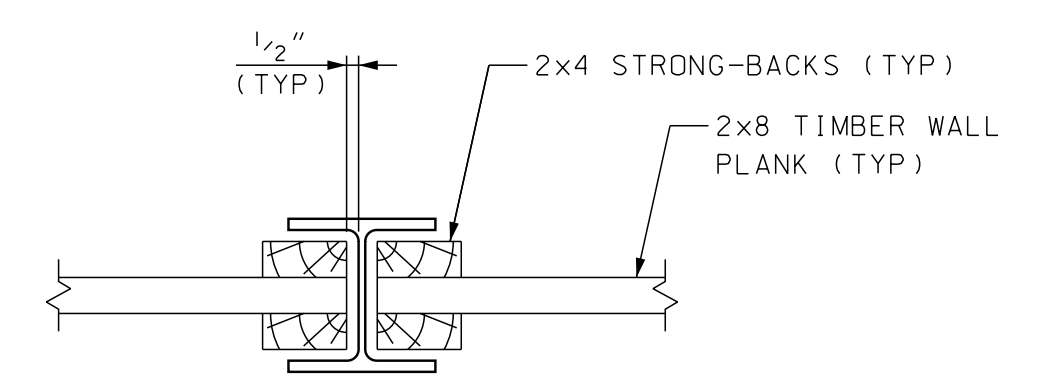


**BRIDGE SOUNDWALL ELEVATION**  
 (BRIDGE RAIL AND DECK NOT SHOWN)  
 SCALE: 1/2" = 1'-0"

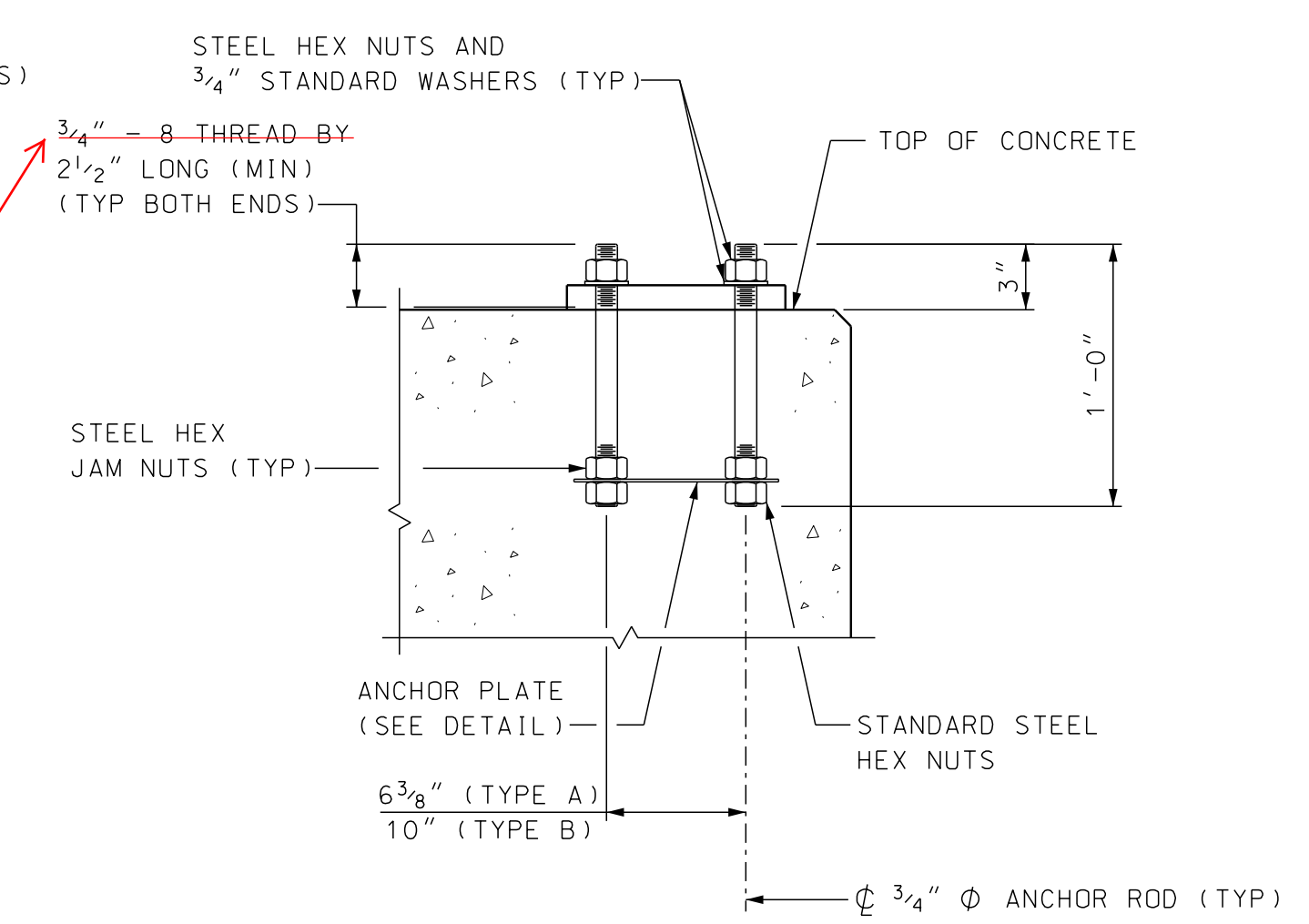
NOTE: DETAILS AND NOTES MAY NOT BE CURRENT. CLOSELY REVIEW BEFORE USING DETAILS.

NOTE: BRIDGE MOUNTED SOUNDWALL AND ANCHORAGE SYSTEM SHALL BE DESIGNED FOR EACH PROJECT.



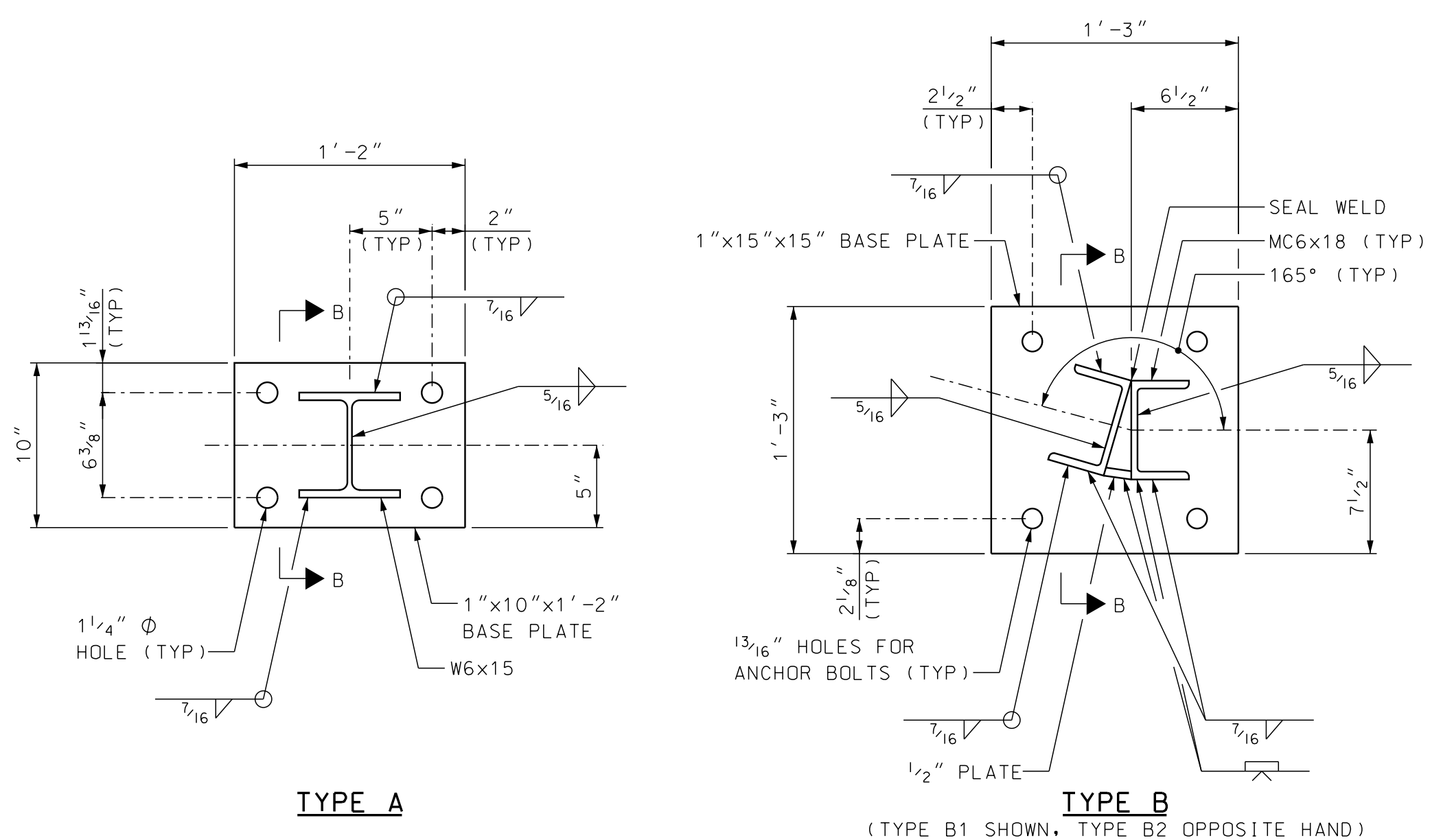
**SECTION A-A**  
 SCALE: 1 1/2" = 1'-0"

Incorrect thread series for 3/4" bolt. Do not call out thread series.

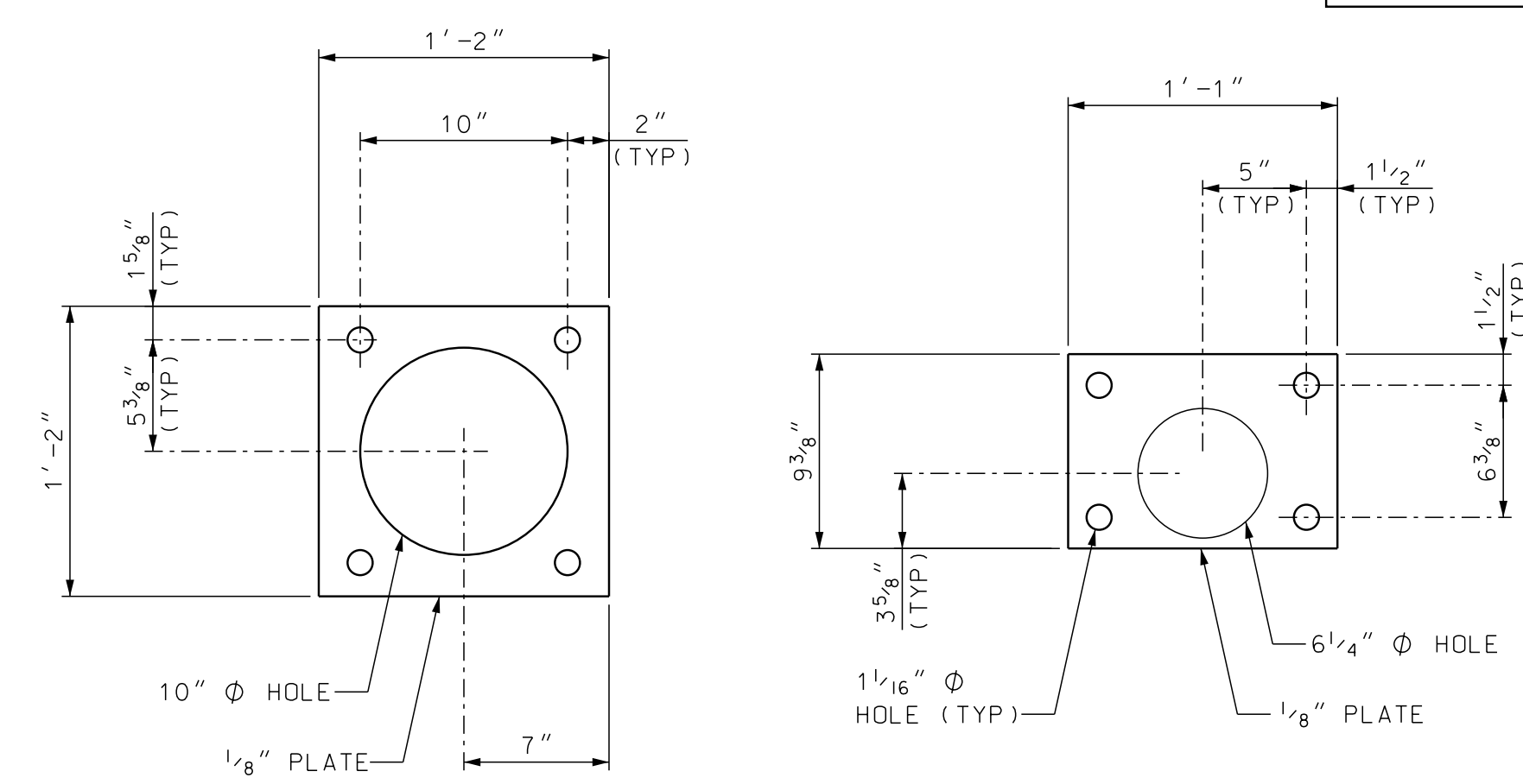


**SECTION B-B**  
 (ANCHOR ROD DETAIL)  
 SCALE: 1 1/2" = 1'-0"

**SAMPLE PLAN**  
 DATE: 09-2010



**POST AND PLATE DETAILS**  
 SCALE: 1 1/2" = 1'-0"



**ANCHOR PLATE DETAILS**  
 SCALE: 1 1/2" = 1'-0"

**NOTES:**

1. THE STEEL SHALL MEET THE REQUIREMENTS OF SECTION 550 OF THE STANDARD SPECIFICATIONS. STEEL SHALL BE ASTM A 572, GRADE 50 GALVANIZED, EXCEPT ANCHOR PLATES MAY BE ASTM A36.
2. BASE PLATES SHALL SIT UPON 1/8" ELASTOMERIC BEARING PADS CONFORMING TO AASHTO M251.
3. FOR GALVANIZING INFORMATION, SEE BRIDGE SHEET 34, NOTE 14.
4. SEE SOUNDWALL PLANS FOR WOOD MATERIALS AND DETAILS.
5. SEE BRIDGE SHEET 28 FOR SOUNDWALL POST LAYOUT.

STATE OF NEW HAMPSHIRE									
DEPARTMENT OF TRANSPORTATION * BUREAU OF BRIDGE DESIGN									
TOWN SALEM		BRIDGE NO. 076/063			STATE PROJECT 13933D				
LOCATION I-93 SB OVER NH 38									
REVISIONS AFTER PROPOSAL								BRIDGE SHEET	
								OF 36	
DESIGNED				BY		DATE		FILE NUMBER	
DRAWN				BY		DATE		110-1-2	
QUANTITIES				BY		DATE		TOTAL SHEETS	
ISSUE DATE				FEDERAL PROJECT NO.		SHEET NO.		658	
REV. DATE									

**VHB** Vanasse Hangen Brustlin, Inc.

PLOT DATE	DRAWING NAME	SHEET SCALE
9/28/2010	DRAWING NAME	AS NOTED