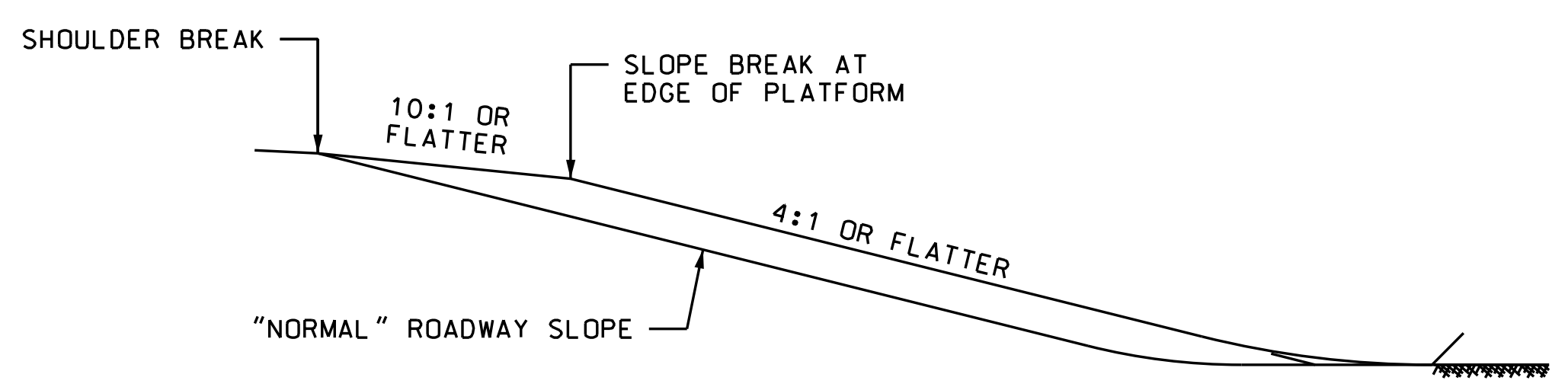
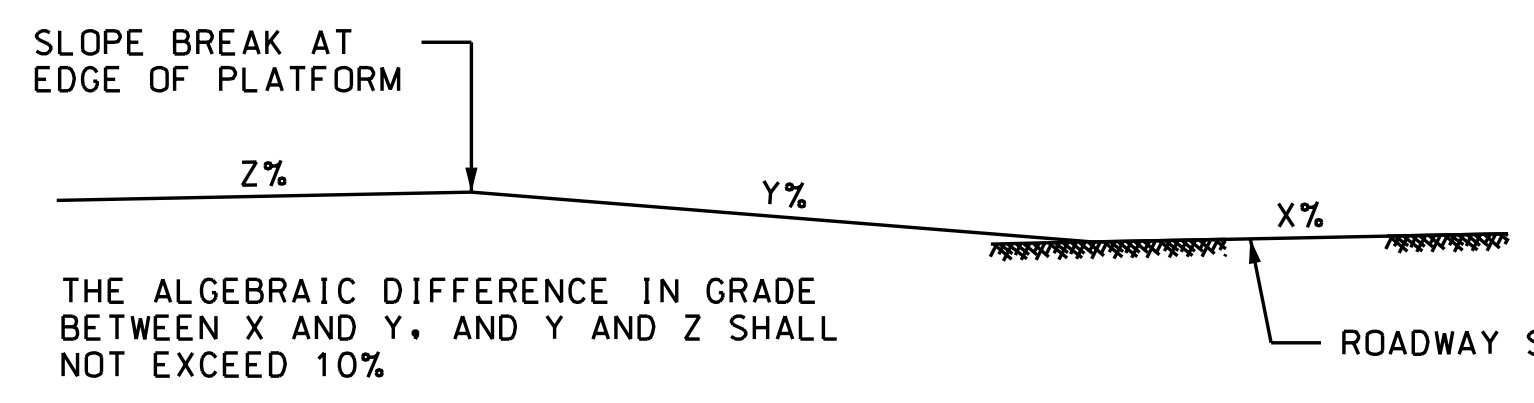


* 50 FOOT LENGTH IS COMPRISED OF TERMINAL LENGTH PLUS W-BEAM RAIL AS DESCRIBED IN THE APPROPRIATE 606 SPECIAL PROVISION

TL-3 EAGRT UNIT

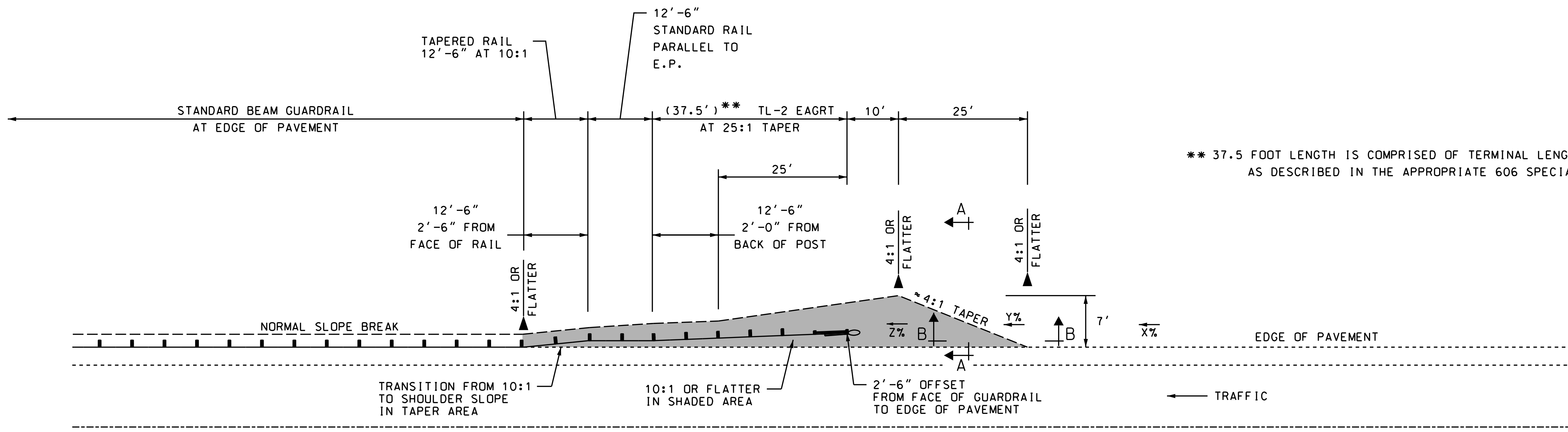


SECTION A-A
PLATFORM SLOPE GRADING



SECTION B-B
PLATFORM APPROACH GRADING

X: LONGITUDINAL GRADE OF ROADWAY SLOPE IN ADVANCE OF PLATFORM
Y: LONGITUDINAL GRADE OF PLATFORM APPROACH
Z: LONGITUDINAL GRADE OF PLATFORM



** 37.5 FOOT LENGTH IS COMPRISED OF TERMINAL LENGTH PLUS W-BEAM RAIL AS DESCRIBED IN THE APPROPRIATE 606 SPECIAL PROVISION.

TL-2 EAGRT UNIT

STATE OF NEW HAMPSHIRE SPECIAL DETAILS				
DEPARTMENT OF TRANSPORTATION • BUREAU OF HIGHWAY DESIGN				
ALTERNATE PLATFORM FOR OFFSET ENERGY ABSORBING GUARDRAIL TERMINAL (EAGRT)				
REVISION DATE	DGN	STATE PROJECT NO.	SHEET NO.	TOTAL SHEETS
06/18/15	apo_+12_3	-	9	12