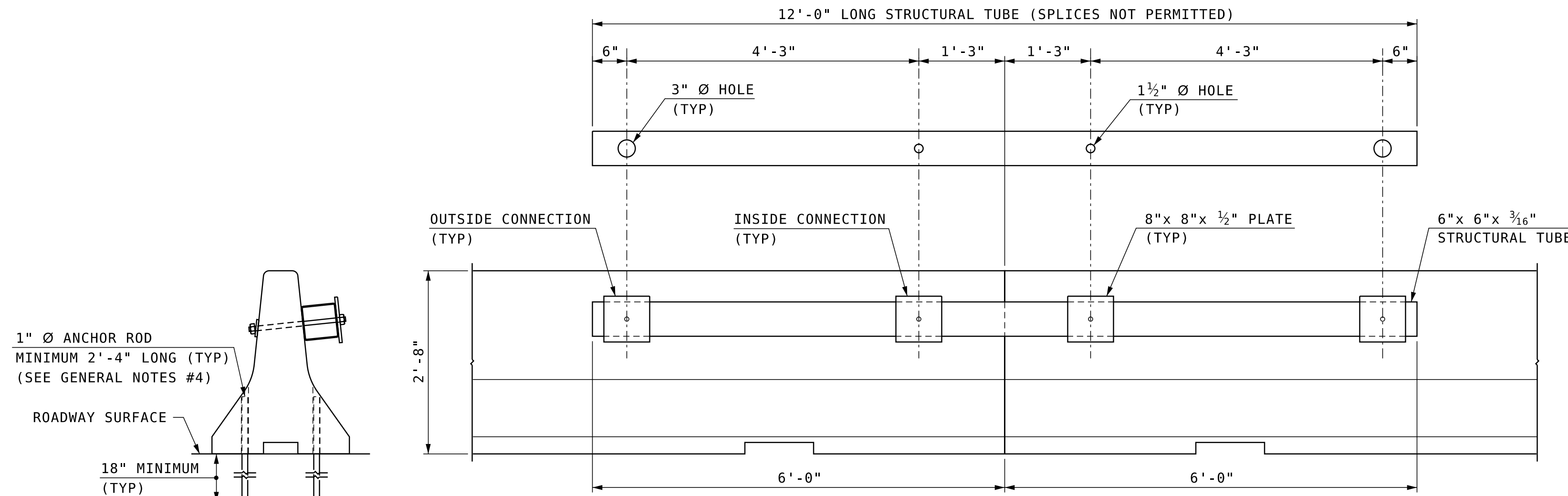


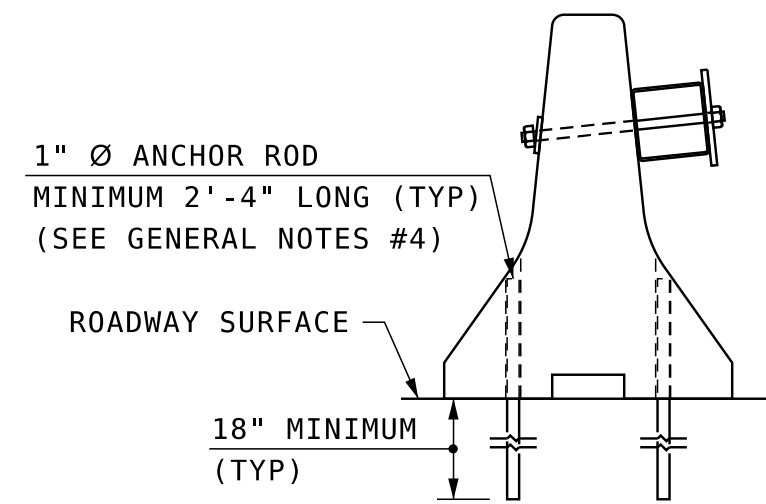
**PLAN - BARRIER LAYOUT**

NOT TO SCALE



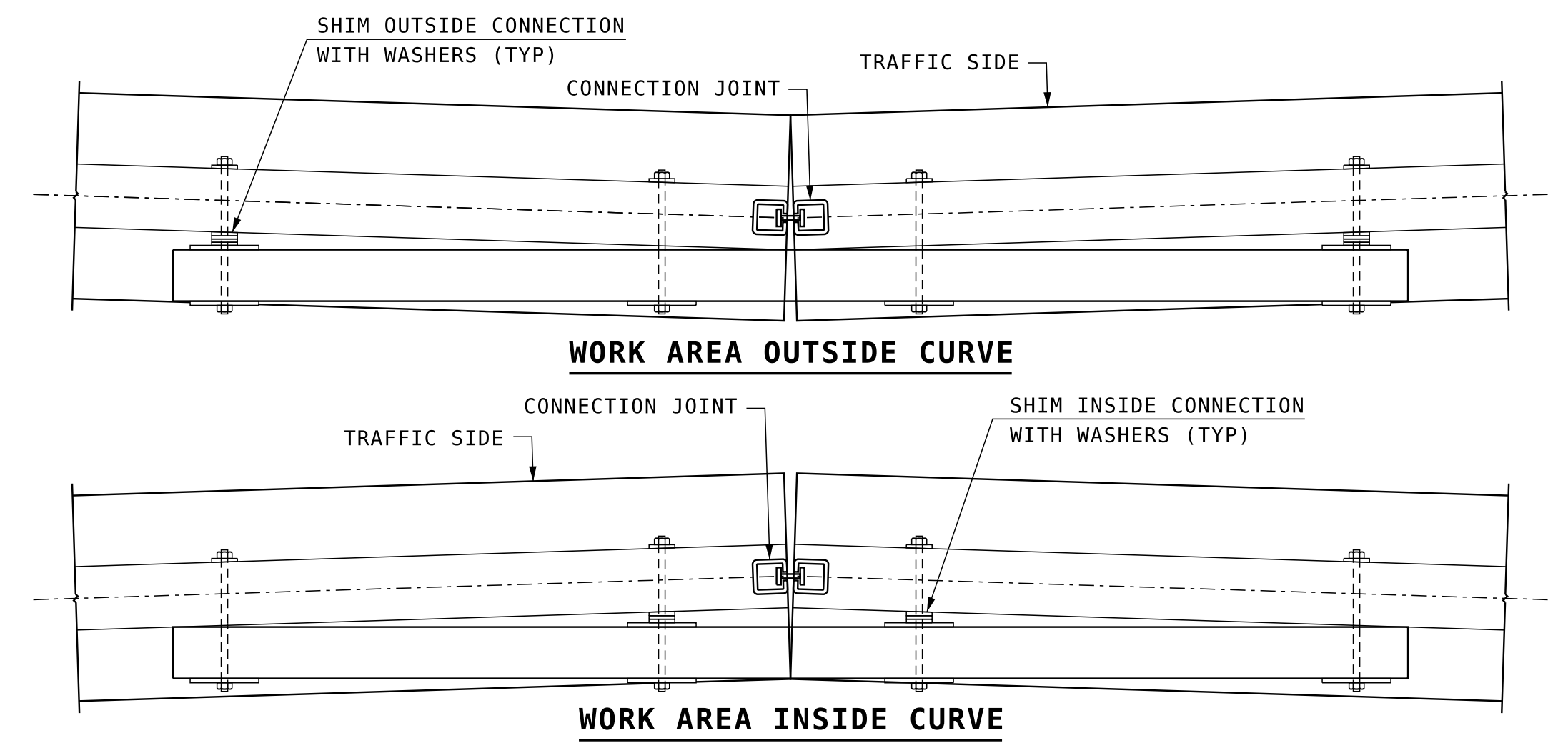
**STRUCTURAL TUBING DETAILS**

SCALE: 3/4" = 1'-0"



**ANCHORAGE DETAIL**

SCALE: 3/4" = 1'-0"

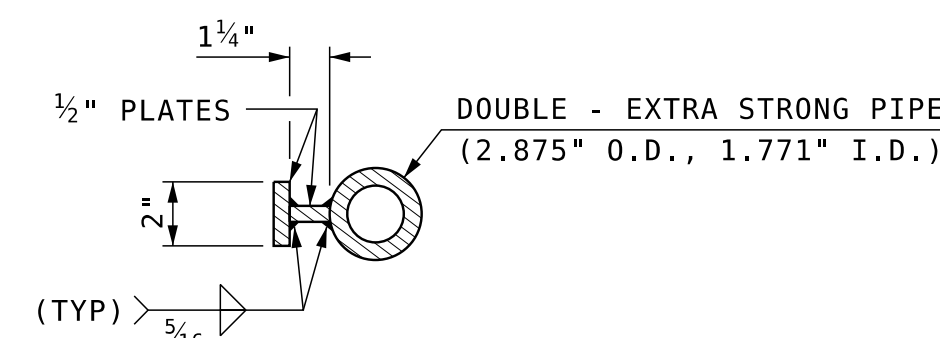


**TUBE CONNECTIONS (CURVED ALIGNMENT)**

SCALE: 3/4" = 1'-0"

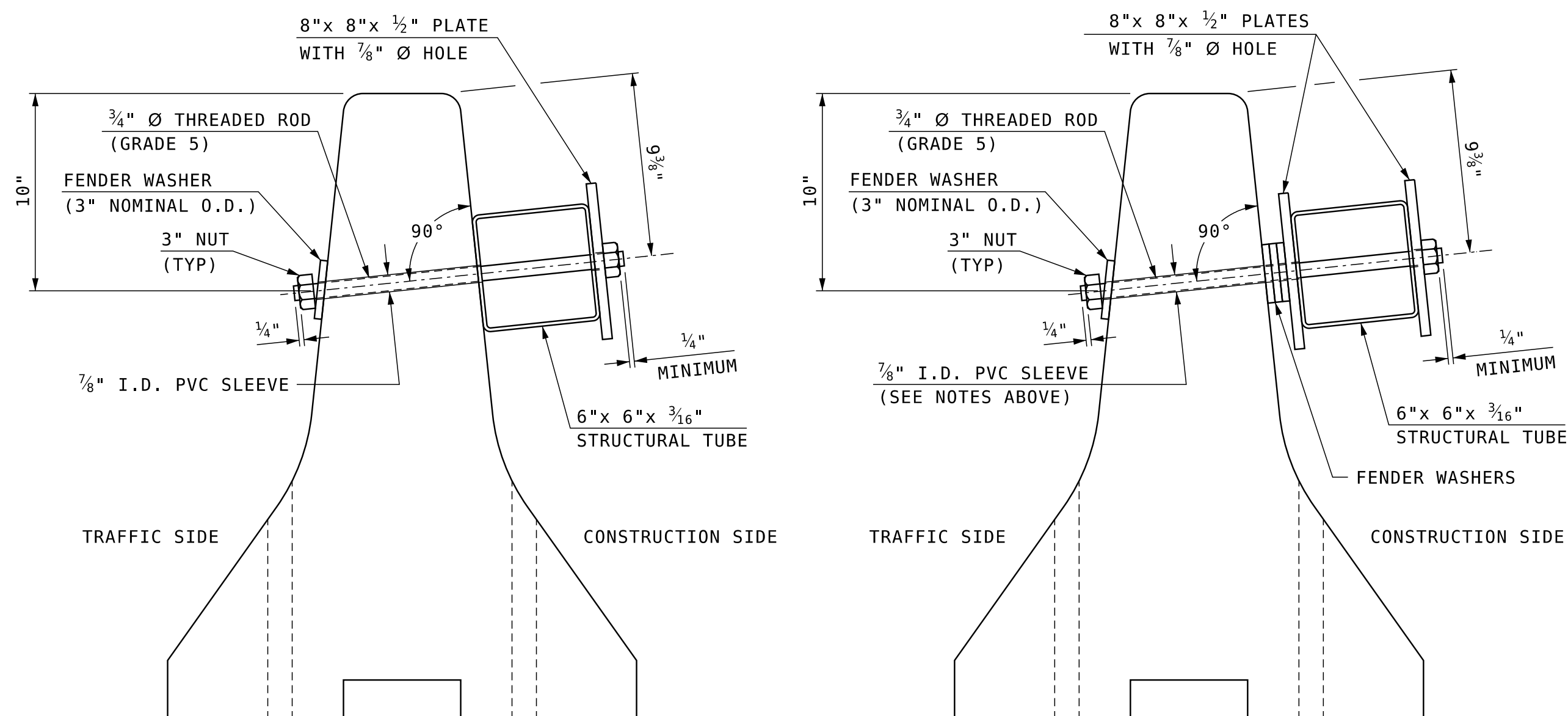
PVC SLEEVE OPENINGS SHALL BE MODIFIED/DRILLED AS REQUIRED TO PROPERLY ALIGN STRUCTURAL TUBE BRACING UNITS FOR CURVED ALIGNMENTS

THE PRESENCE OF NORMAL HOLES WHICH HAVE BEEN MODIFIED/DRILLED WILL NOT AFFECT THE REUSE OF CONCRETE BARRIER UNITS



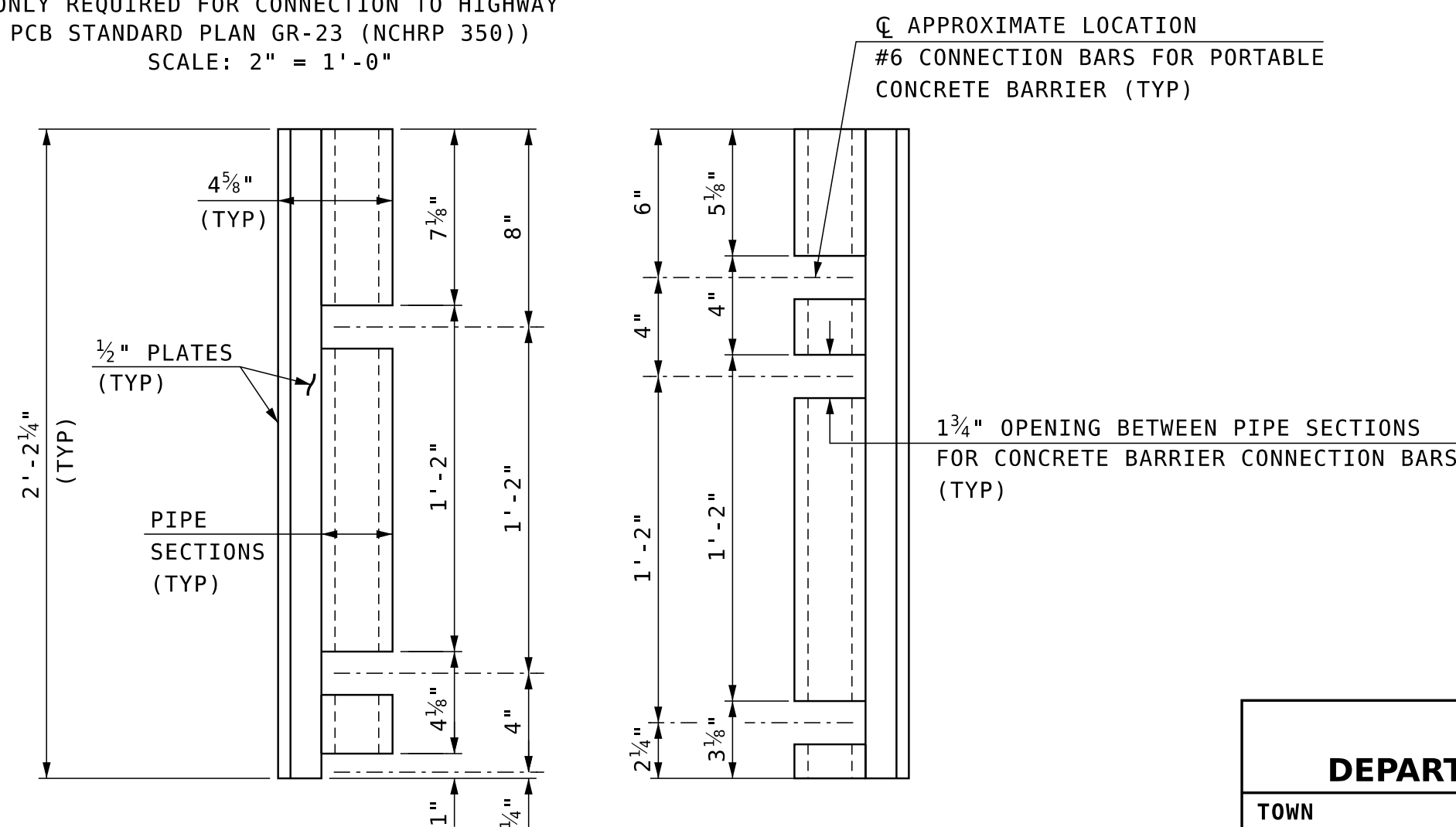
**TYPICAL SECTION**

(TRANSITION KEY)  
(ONLY REQUIRED FOR CONNECTION TO HIGHWAY PCB STANDARD PLAN GR-23 (NCHRP 350))  
SCALE: 2" = 1'-0"



**BARRIER & STRUCTURAL TUBING SECTIONS**

SCALE: 2" = 1'-0"



**TRANSITION KEY ELEVATIONS**

(ONLY REQUIRED FOR CONNECTION TO HIGHWAY PCB STANDARD PLAN GR-23 (NCHRP 350))  
SCALE: 2" = 1'-0"

SUBDIRECTORY	.DGN LOCATOR	SHEET SCALE
TEMP BARRIER	PCB-BRACED	AS NOTED

**NHDOT Bridge Design**  
7/31/2023

Revisions made to Bridge Detail Sheet are highlighted.  
Go to website for current Detail Sheet.

**NO MODIFICATIONS SHOULD BE MADE TO THIS SHEET**

STATE OF NEW HAMPSHIRE DEPARTMENT OF TRANSPORTATION * BUREAU OF BRIDGE DESIGN									
TOWN	BRIDGE NO.		STATE PROJECT						
LOCATION									
<b>PCB - BRACED (2 OF 3)</b>									
REVISIONS AFTER PROPOSAL	BY	DATE	CHECKED	BY	DATE	BRIDGE SHEET			
	DESIGNED	NHDOT	7/12	ABH	8/12	XX OF			
	DRAWN	PJP	8/12	ABH	8/12	FILE NUMBER			
	QUANTITIES	XXX	XX/XX	CHECKED	XXX	XX/XX			
	ISSUE DATE	8/15/12	FEDERAL PROJECT NO.	SHEET NO.	TOTAL SHEETS				
	REV. DATE	6/1/20							