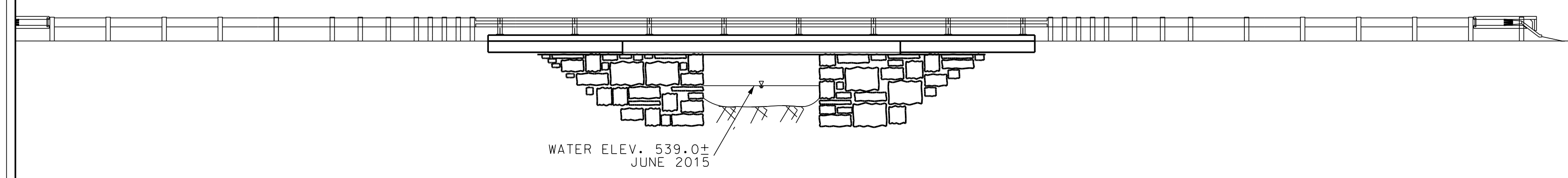
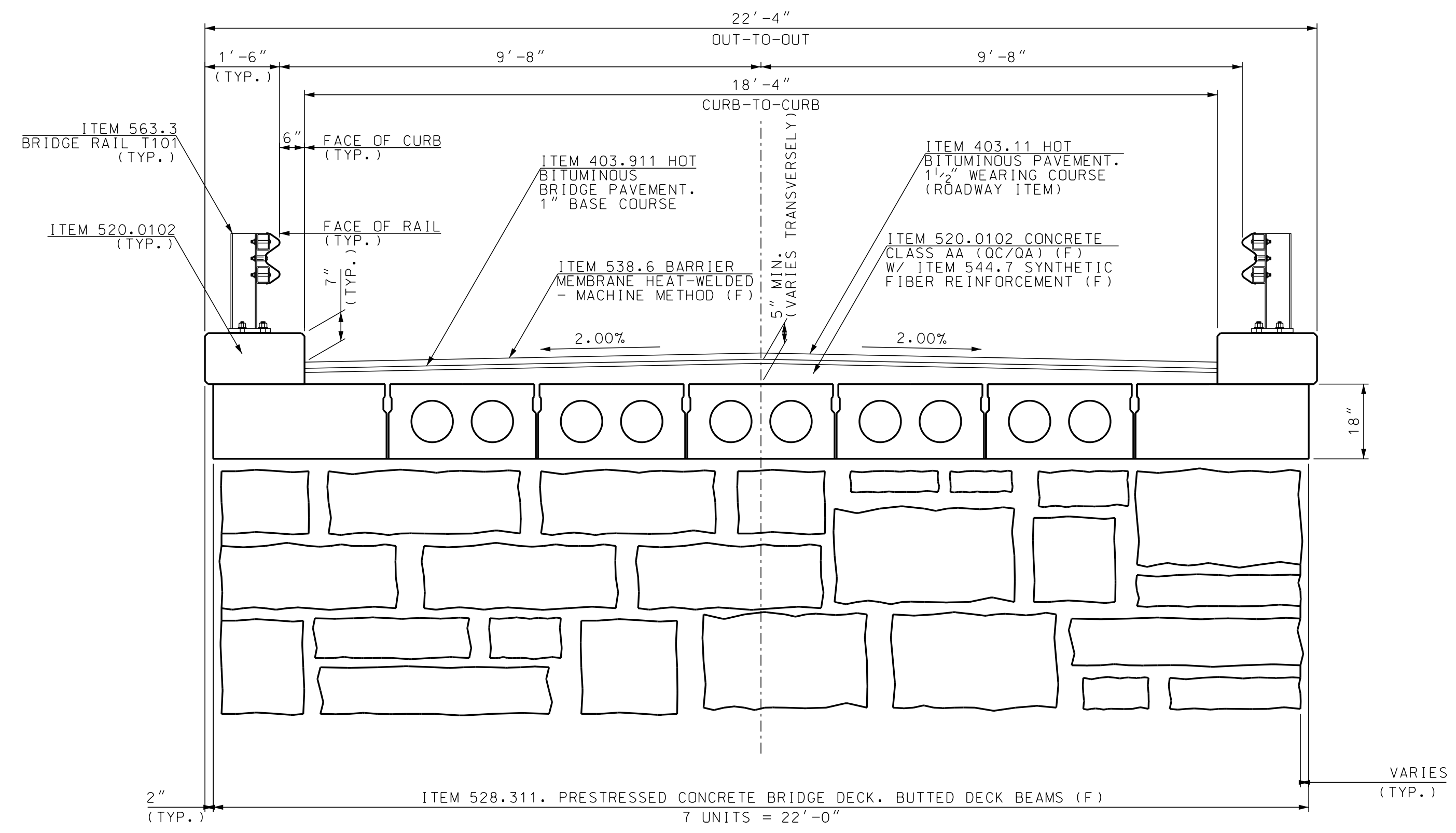


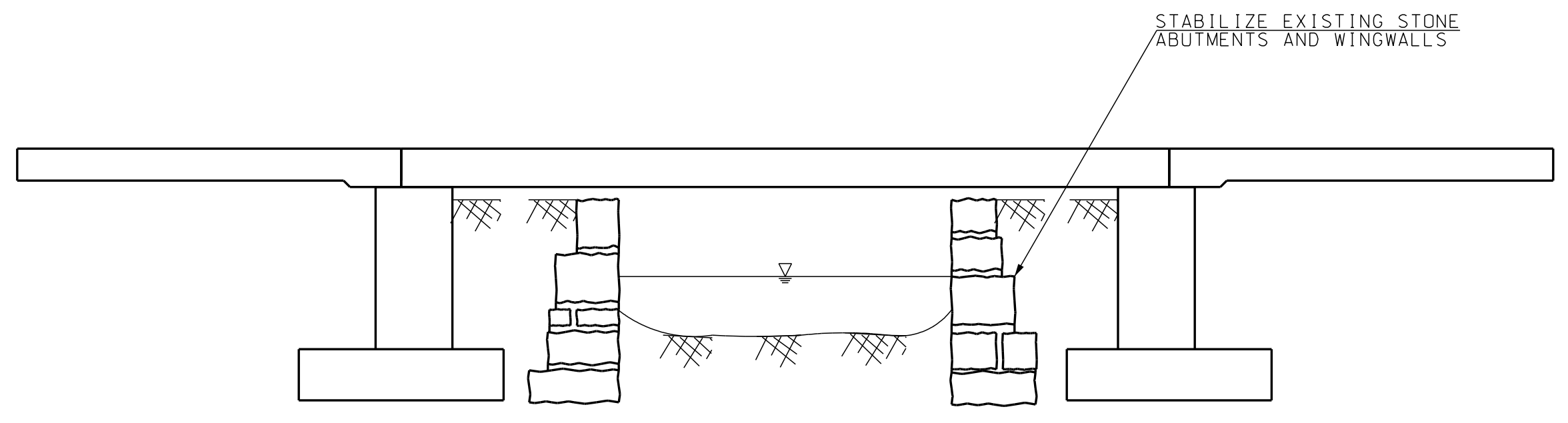
PLAN
SCALE: 1" = 10'



ELEVATION
SCALE: 1" = 10'



TYPICAL BRIDGE SECTION
SCALE: 1/2" = 1'-0"



TYPICAL BRIDGE SECTION THROUGH C
SCALE: 1" = 5'

PRELIMINARY PLANS
SUBJECT TO CHANGE
DATE 9/8/2016

HEB
Engineers
CIVIL • STRUCTURAL • SURVEY

HEB Engineers, Inc.
Post Office Box 440
2605 White Mountain Hwy.
North Conway, NH 03860
www.hebengineers.com
Office (603) 356-6936
Fax (603) 356-7715

SUBDIRECTORY	DGN LOCATOR	SHEET SCALE
Prelim	24579GENPLAN	AS NOTED

STATE OF NEW HAMPSHIRE									
DEPARTMENT OF TRANSPORTATION * BUREAU OF BRIDGE DESIGN									
TOWN	CENTER HARBOR-NEW HAMPTON	BRIDGE NO.	080/040	STATE PROJECT	24579	BRIDGE SHEET			
LOCATION WAUKEWAN ROAD OVER THE LAKE WAUKEWAN INLET						1 OF 1			
GENERAL PLAN, ELEVATION, AND SECTIONS									
DESIGNED	JKM	09/16	CHECKED	CRF	09/16	FILE NUMBER			
DRAWN	MTL	09/16	CHECKED	CRF	09/16				
QUANTITIES	N/A	N/A	CHECKED	N/A	N/A				
ISSUE DATE		FEDERAL PROJECT NO.		SHEET NO.	1	TOTAL SHEETS	1		
REV. DATE									