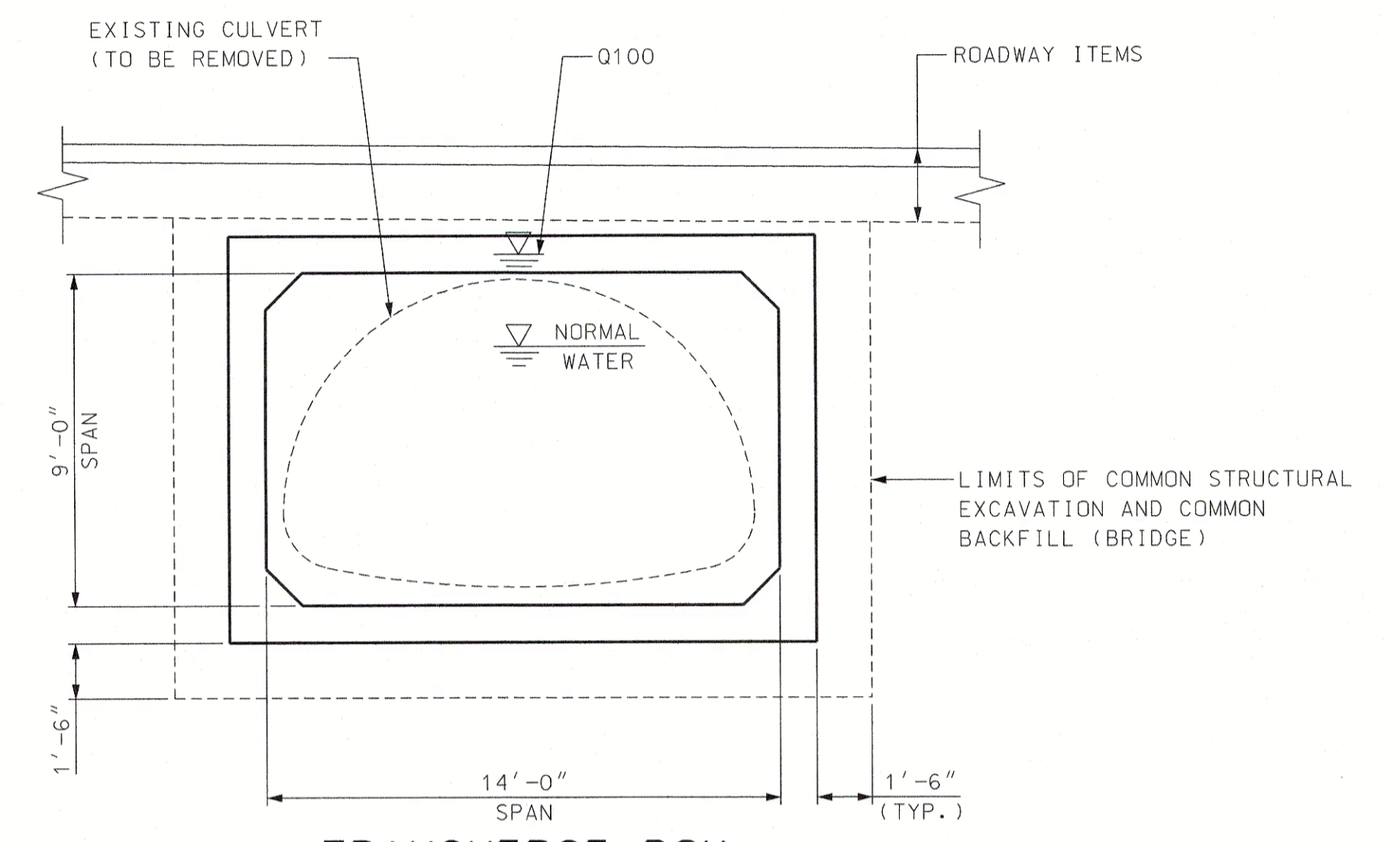
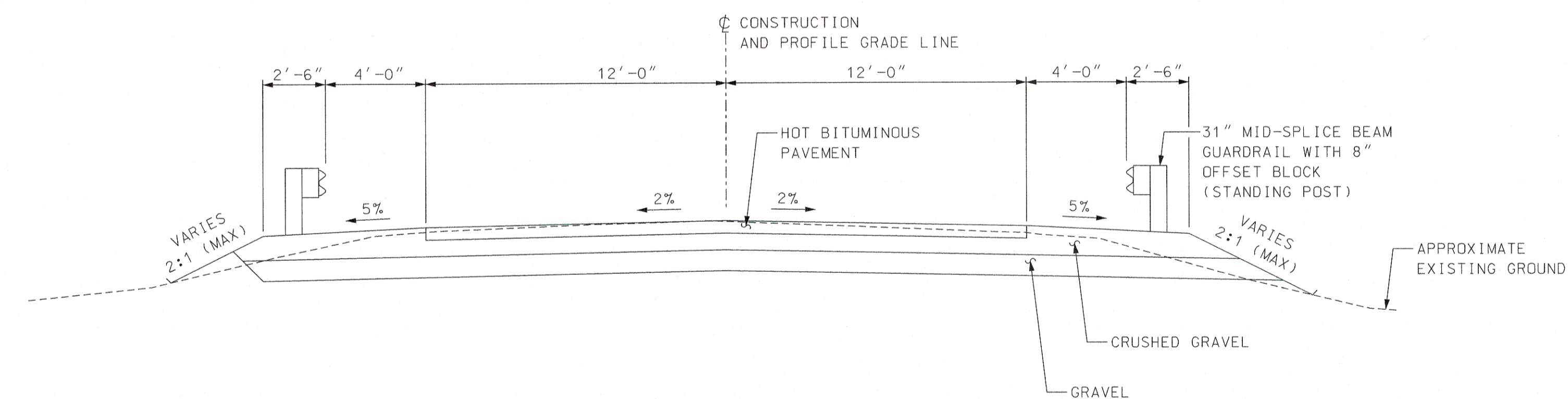


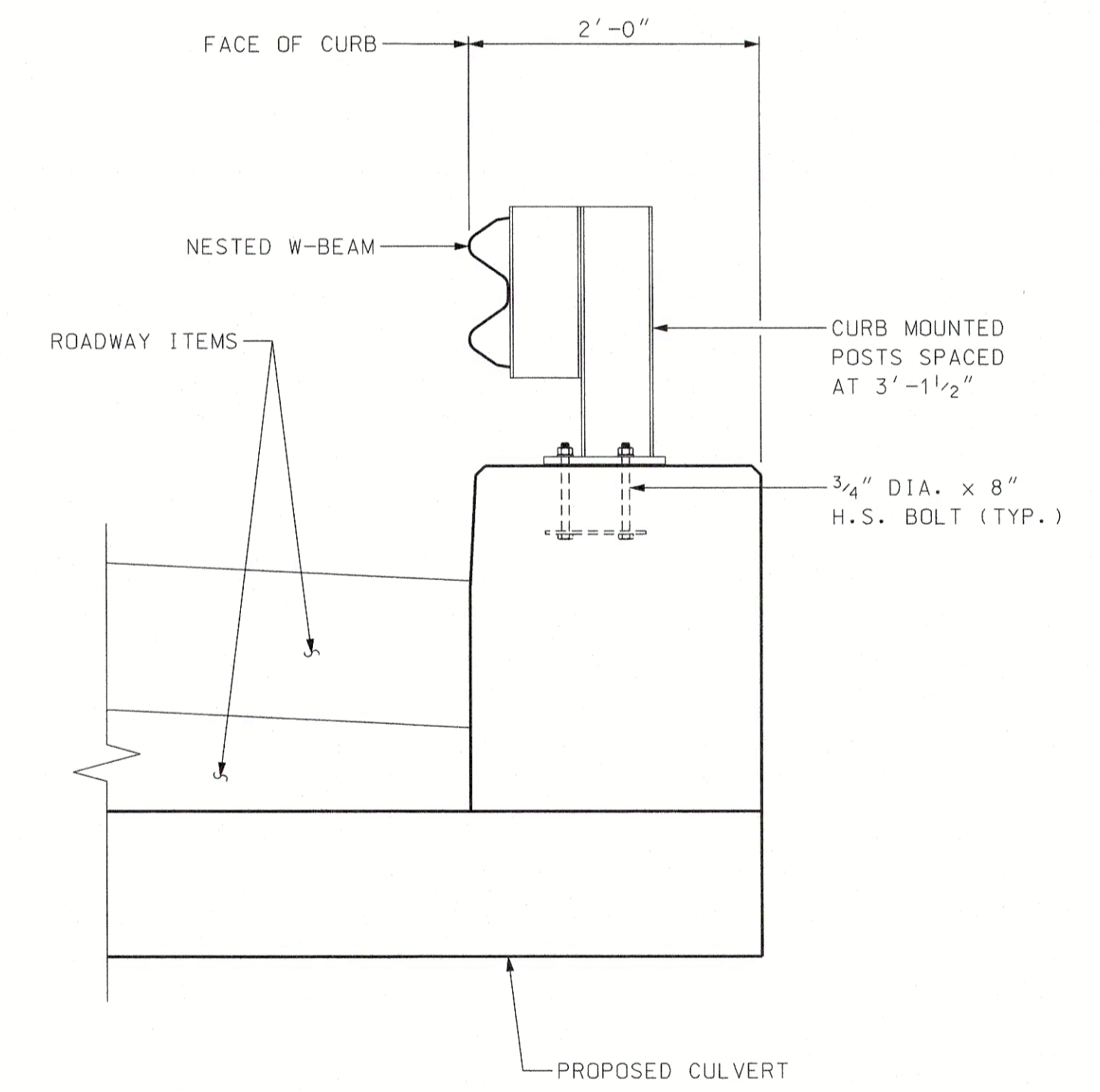
LONGITUDINAL BOX CULVERT SECTION
SCALE: 1/4" = 1'-0"



TRANSVERSE BOX CULVERT SECTION
SCALE: 1/4" = 1'-0"



NORTH ROAD (NH 107) TYPICAL SECTION
SCALE: 1/4" = 1'-0"



CURB MOUNTED GUARDRAIL DETAIL
SCALE: 1" = 1'-0"

\\bhgh1proj\Beiford\25201.06 Deerfield 24477\culvert\plans\24477culvertdetails1.dgn



PLOT DATE	DRAWING NAME	SHEET SCALE
4/22/2019	2447culvertdetails1.dgn	AS NOTED

STATE OF NEW HAMPSHIRE					
DEPARTMENT OF TRANSPORTATION * BUREAU OF BRIDGE DESIGN					
TOWN DEERFIELD		BRIDGE NO. 137/116		STATE PROJECT 24477	
LOCATION NH ROUTE 107 OVER FREESSES POND					
CULVERT DETAILS					BRIDGE SHEET
CONCEPT PLANS	DESIGNED	BY TSP	DATE 4/19	CHECKED JAW	DATE 4/19
	DRAWN	BY KDW	DATE 4/19	CHECKED GSG	DATE 4/19
	QUANTITIES	CHECKED			
	ISSUE DATE	FEDERAL PROJECT NO.		SHEET NO.	TOTAL SHEETS
	REV. DATE				
					2 OF 2
					FILE NUMBER

					TOTAL SHEETS
