

1.50" RADIUS. 0.50" BORDER. 0.375" INDENT.
BLACK ON YELLOW:

W7-B7

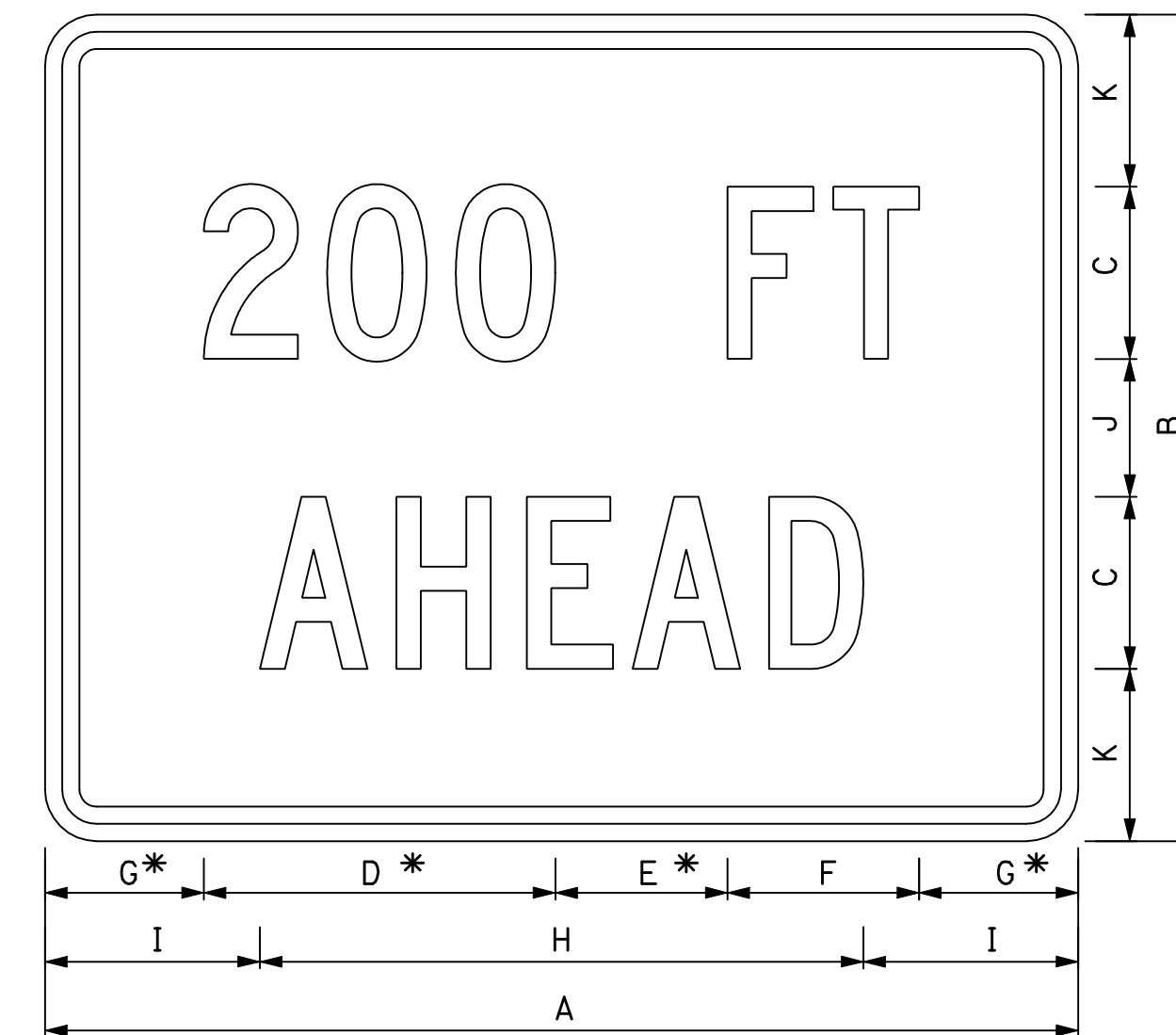
DIMENSIONS (inches)/LETTER FONTS													
A	B	C	D	E	F*	G	H	I*	J*	K	L	M	N
24	18	4C	6 ¹ / ₂	6	9 ¹ / ₂	14	3 ¹ / ₂	2 ¹ / ₂	5	10	4	2 ³ / ₄	2
30	24	5C	8 ¹ / ₂	7 ³ / ₄	11 ⁷ / ₈	17 ¹ / ₂	3 ⁵ / ₈	3 ³ / ₈	6 ¹ / ₄	13 ³ / ₄	5 ¹ / ₄	4	2 ¹ / ₂

* DIMENSION VARIES WITH DIFFERENT NUMBERS

WARNING SIGN

NHDOT STANDARD PLANS
1/4, 1/2, 3/4 MILE AHEAD

REV. DATE	PLATE
07-13-2001	1
02-26-2010	STANDARD
	SG-7



1.50" RADIUS. 0.50" BORDER. 0.375" INDENT.
BLACK ON YELLOW:

W7-B2

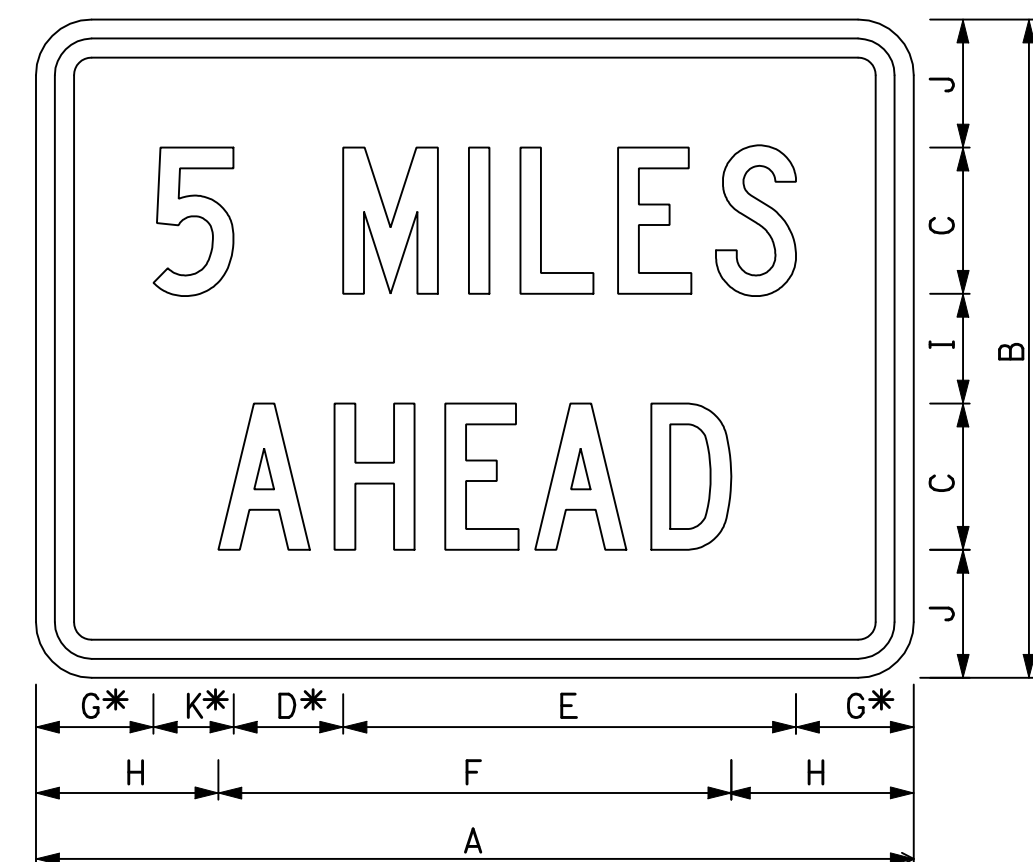
DIMENSIONS (inches)/LETTER FONTS										
A	B	C	D*	E*	F	G*	H	I	J	K
24	18	4C	8 ¹ / ₈	4	4 ³ / ₈	3 ³ / ₄	14	5	3	3 ¹ / ₂
30	24	5C	10 ¹ / ₄	5	5 ¹ / ₂	4 ⁵ / ₈	17 ¹ / ₂	6 ¹ / ₄	4	5

* DIMENSION VARIES WITH DIFFERENT NUMBERS

WARNING SIGN

NHDOT STANDARD PLANS
XXX FT AHEAD

REV. DATE	PLATE
07-13-2001	2
02-26-2010	STANDARD
	SG-7



1.50" RADIUS. 0.50" BORDER. 0.375" INDENT.
BLACK ON YELLOW:

W7-B3

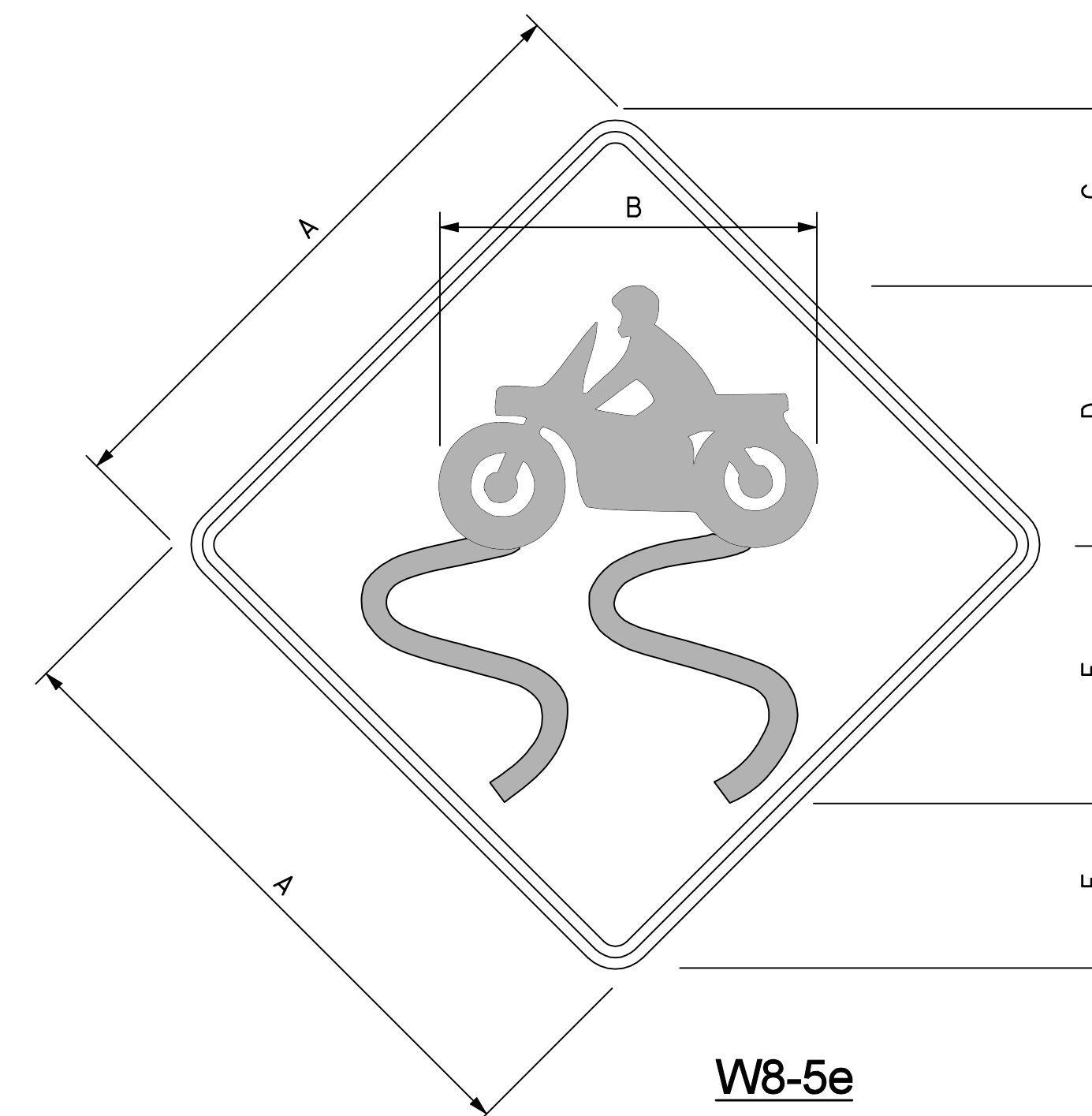
DIMENSIONS (inches)/LETTER FONTS											
A	B	C	D*	E	F	G*	H	I	J	K*	
24	18	4C	3	12 ¹ / ₂	14	3 ¹ / ₄	5	3	3 ¹ / ₂	2 ¹ / ₄	
30	24	5C	4	15 ¹ / ₂	17 ¹ / ₂	3 ⁷ / ₈	6 ¹ / ₄	4	5	2 ³ / ₄	

* DIMENSION VARIES WITH DIFFERENT NUMBERS

WARNING SIGN

NHDOT STANDARD PLANS
X MILES AHEAD

REV. DATE	PLATE
07-13-2001	3
02-26-2010	STANDARD
	SG-7

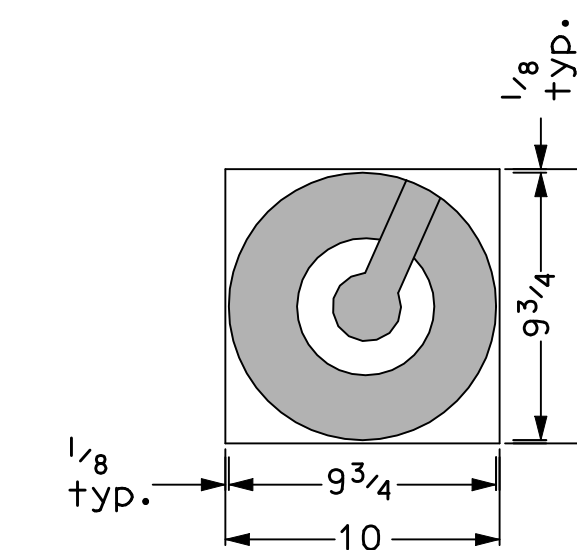


3.0" RADIUS. 1.25" BORDER. 0.75" INDENT.
BLACK ON YELLOW

W8-5e

THE SLIPPERY SYMBOL IS FROM W8-5

FOR SCALING PURPOSES SEE BELOW



DIMENSIONS (inches)/LETTER FONTS					
A	B	C	D	E	F
48	29 ¹ / ₈	12 ³ / ₄	20	19 ⁷ / ₈	12 ³ / ₄

WARNING SIGN

SIGNING STANDARD

NHDOT STANDARD PLANS
MOTORCYCLE CAUTION

REV. DATE	PLATE
07-13-2001	4
02-26-2010	STANDARD
	SG-7

STANDARD NO. SG-7

REVISION DATE
07-13-2001
02-26-2010

*.DGN FILE NAME
SG-7

STANDARD PLANS

New Hampshire
DOT
Department of Transportation

STANDARD NO. SG-7