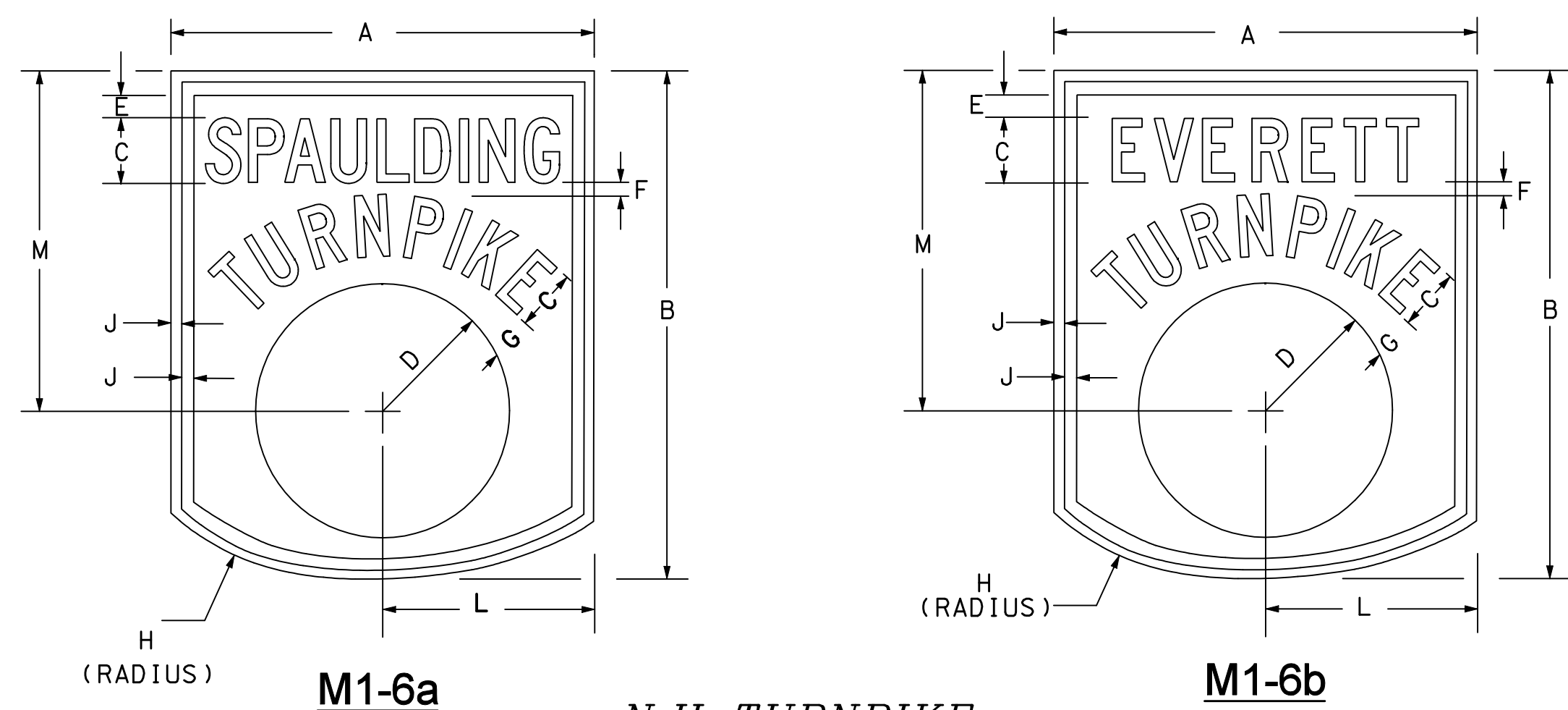


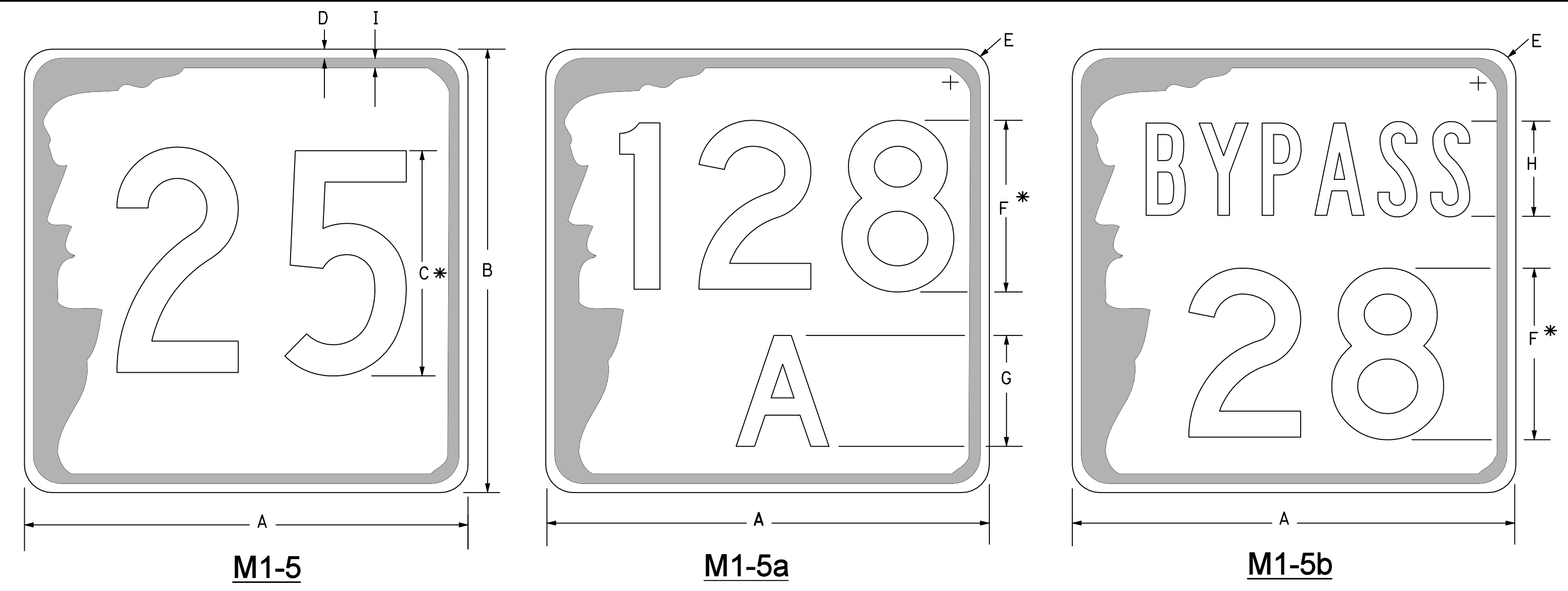
REVISION DATE
07-13-2001
02-26-2010

*DGN FILE NAME
SG-1



N.H. TURNPIKE ROUTE MARKERS
(FOR GUIDE SIGN USE)

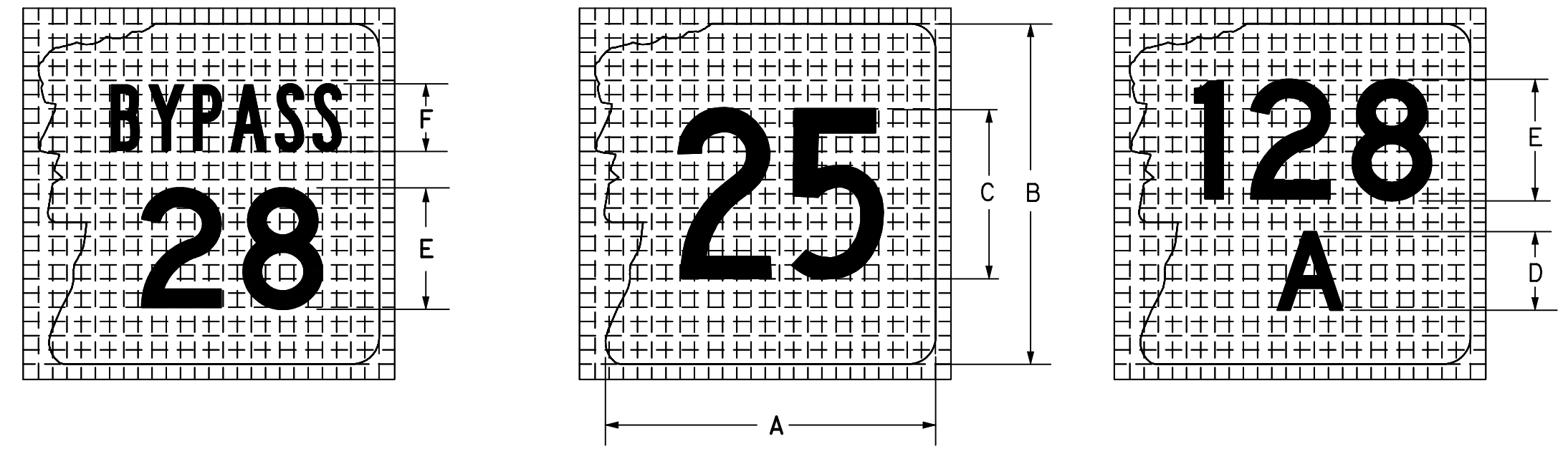
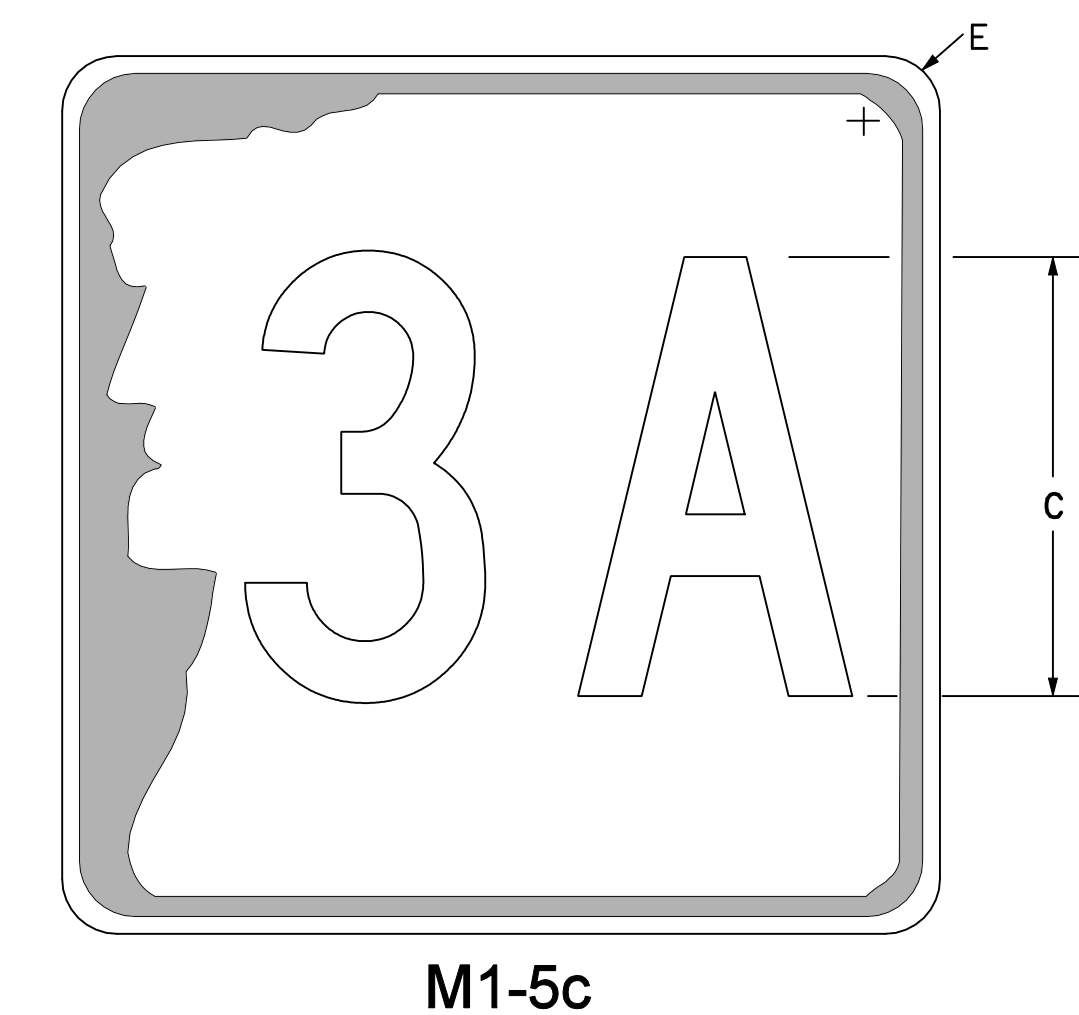
DIMENSIONS (inches)/LETTER FONTS										
A	B	C	D	E	F	G	H	J	L	M
15	18	2 1/4 C	4 1/2	3/4	1/2	1	12 3/4	3/8	7 1/2	12
20	24	3 C	6	1	3/4	1 1/4	17	1/2	10	16
30	36	4 1/2 C	9	1 1/2	1	2	25 1/2	3/4	15	24



N.H. STATE ROUTE MARKER
(FOR INDEPENDENT USE)

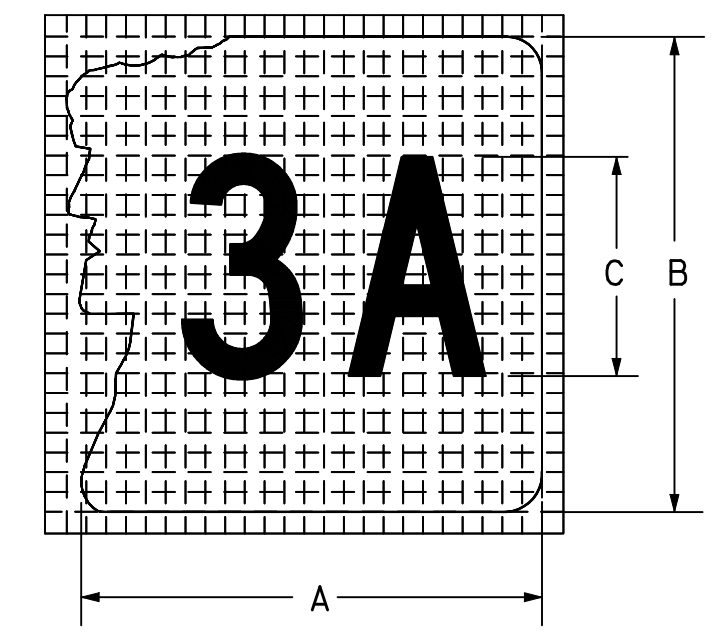
SIGN	DIMENSIONS (inches)/LETTER FONTS								
	A	B	C	D	E	F	G	H	I
1, 2 DIGITS	24	24	12D	1/2	1 1/2	9D	6D	5B	1/2
3 DIGITS	24	24	12B	1/2	1 1/2	9C	6D	5B	1/2
1, 2 DIGITS	36	36	18D	3/4	2 1/4	14D	9D	9B	3/4
3 DIGITS	36	36	18B	3/4	2 1/4	14C	9D	9B	3/4

* OPTICALLY PLACE NUMERALS WITHIN SHIELD



SIGN	DIMENSIONS (inches)/LETTER FONTS					
	A	B	C	D	E	F
1 DIGIT	18	18	10E	-	8D	4B
2 DIGIT	18	18	10C	4D	8D	4B
3 DIGIT	18	18	10B	4D	8B	4B
1 DIGIT	24	24	14E	-	11D	6B
2 DIGIT	24	24	14C	6D	11D	6B
3 DIGIT	24	24	12B	6D	11B	6B
1 DIGIT	36	36	18E	-	16D	8B
2 DIGIT	36	36	18C	8D	16D	8B
3 DIGIT	36	36	18B	8D	16B	8B
1 DIGIT	48	48	24E	-	20D	11B
2 DIGIT	48	48	24C	12D	20D	11B
3 DIGIT	48	48	24B	12D	20B	11B

NH STATE ROUTE MARKER PATTERN FOR GUIDE SIGN USE



NOTES:

- OPTICALLY PLACE NUMERALS WITHIN SHIELD.
- ANY 2 DIGIT ROUTE WITH ONE OR MORE #1'S IN THE COPY WILL BE A "D" SERIES.
- ANY 3 DIGIT ROUTE WITH TWO #1'S IN THE COPY WILL BE A "C" SERIES.
- ANY 3 DIGIT ROUTE WITH THREE #1'S IN THE COPY WILL BE A "D" SERIES.

GENERAL NOTES

- BACKGROUND FOR ALL SHIELDS FOR C & CC SIGNS SHALL BE WHITE TYPE III. BACKGROUND FOR ALL SHIELDS ON OVERHEAD STRUCTURES SHALL BE TYPE VII, VIII, IX OR X.
- SHEET ALUMINUM USED FOR DEMOUNTABLE ROUTE MARKERS SHALL CONFORM TO THE OUTLINE OF THE SHIELD.
- NEW HAMPSHIRE STATE ROUTE MARKERS SHALL UTILIZE "THE OLD MAN" IMAGE OR OUTLINE AS FOLLOWS:
 - INDEPENDENT ROUTE MARKERS SHALL HAVE BLACK TEXT INSIDE A BLACK "OLD MAN" IMAGE AS SHOWN ABOVE.
 - GUIDE SIGN ROUTE MARKERS SHALL HAVE BLACK TEXT ON A CUT OUT WHITE "OLD MAN" OUTLINE AS SHOWN LEFT.
- NEW HAMPSHIRE TURNPIKE ROUTE MARKERS SHALL UTILIZE THE FOLLOWING DESIGN:
 - SPAULDING TURNPIKE GUIDE SIGN ROUTE MARKERS SHALL HAVE BLUE TEXT, BORDER, AND DISK ON A WHITE BACKGROUND.
 - EVERETT TURNPIKE GUIDE SIGN ROUTE MARKERS SHALL HAVE GREEN TEXT, BORDER, AND DISK ON A WHITE BACKGROUND.
- INTERSTATE AND U.S. ROUTE MARKERS SHALL CONFORM TO THE MUTCD AND STANDARD HIGHWAY SIGNS MANUAL.
- DIMENSIONS OF ROUTE MARKERS NOT SHOWN ON THIS SHEET SHALL BE DIRECTLY PROPORTIONAL TO THOSE SHOWN.

SIGNING STANDARD
ROUTE MARKER DETAILS