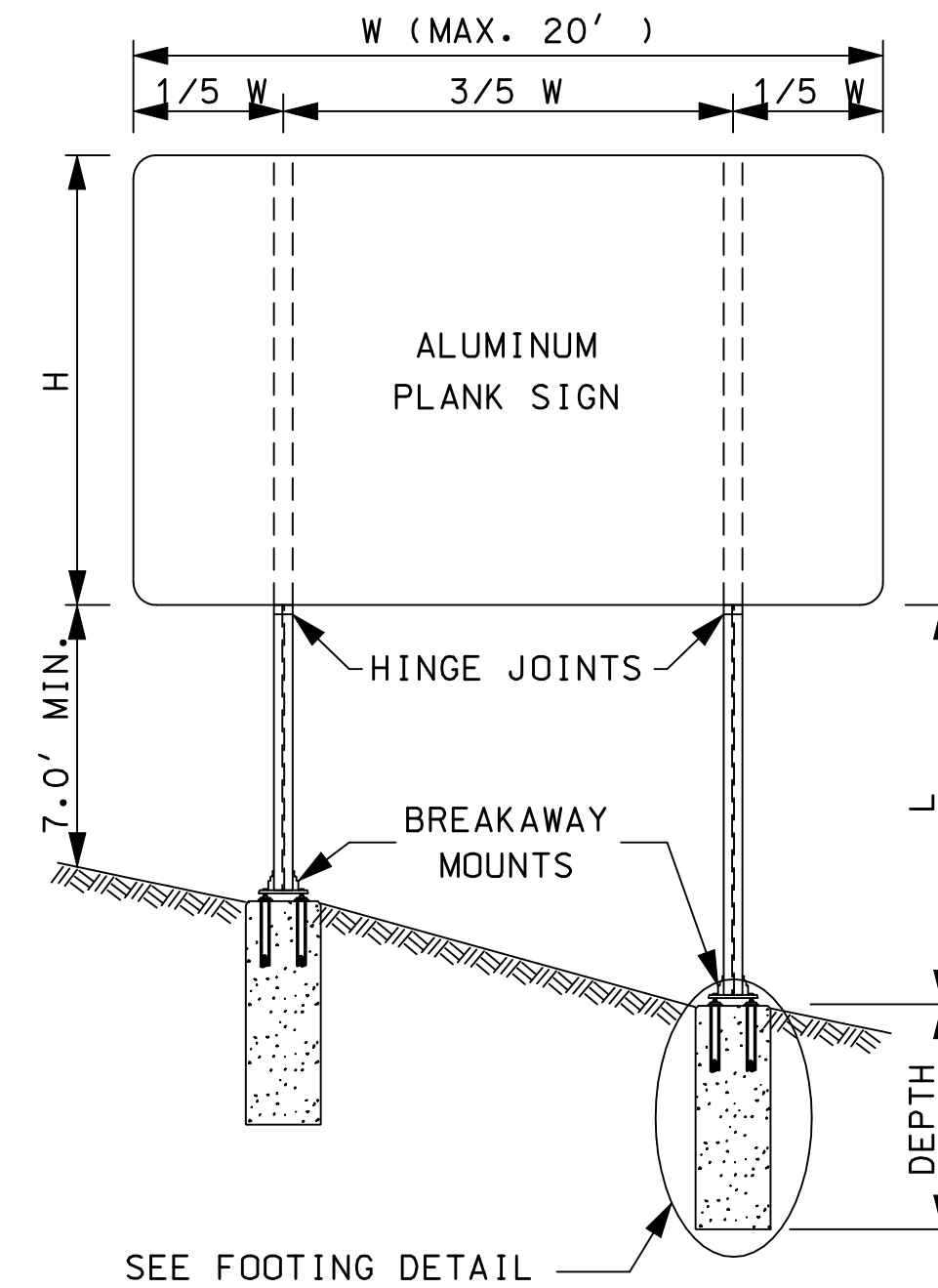


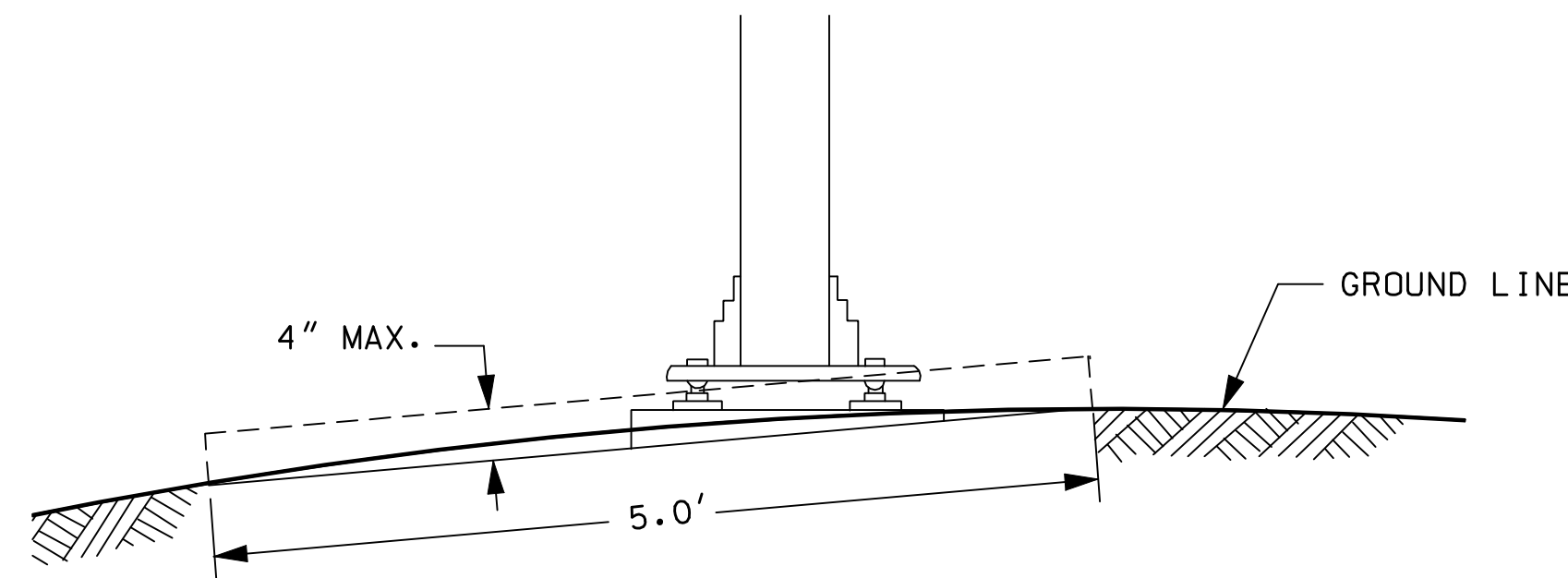
PROCEDURE FOR SELECTING BEAM SECTIONS

- DETERMINE VALUES FOR W, H, & L AS INDICATED IN DRAWING
 W = MAXIMUM WIDTH OF REQUIRED SIGN
 H = MAXIMUM HEIGHT OF REQUIRED SIGN INCLUDING AUXILIARY SIGNS AND SERVICE SYMBOLS.
 L = MAXIMUM DISTANCE BETWEEN TOP OF FOOTING AND BOTTOM OF REQUIRED SIGN.
 (SEE GENERAL NOTE NO. 4)
- FOR SIGN SIZES BETWEEN THOSE VALUES IN THE TABLE, USE NEXT HIGHEST FOOT VALUE.
- ENTER TABLE WITH MAXIMUM VALUE OF "L" AND REQUIRED VALUES OF "W" AND "H" FOR SELECTION OF APPROPRIATE BEAM SELECTION.

		2 POST SIGN												
W	L	H												
		4'	5'	6'	7'	8'	9'	10'	11'	12'	13'	14'	15'	
6'	8'	W6x9	W6x9	W6x9	W6x9	W6x9	W6x9	W6x9	W6x9	W6x12	W6x12	W8x18	W8x18	
	10'	W6x9	W6x9	W6x9	W6x9	W6x12	W6x12	W6x12	W6x15	W6x15	W8x18	W8x18	W8x18	
	12'	W6x9	W6x12	W6x12	W6x12	W6x15	W6x15	W6x15	W6x15	W8x18	W8x18	W8x18	W8x18	
	14'	W6x12	W6x12	W6x12	W6x15	W6x15	W6x15	W6x15	W6x15	W8x18	W8x18	W8x18	W8x21	
	16'	W6x12	W6x15	W6x15	W6x15	W6x15	W6x15	W6x15	W6x15	W8x18	W8x18	W8x21	W8x21	
8'	8'	W6x9	W6x9	W6x9	W6x9	W6x9	W6x9	W6x12	W6x12	W6x12	W6x15	W8x18	W8x18	
	10'	W6x9	W6x9	W6x12	W6x12	W6x12	W6x12	W6x15	W8x18	W8x18	W8x18	W8x18	W8x18	
	12'	W6x12	W6x12	W6x15	W6x15	W6x15	W6x15	W6x15	W8x18	W8x18	W8x18	W8x18	W8x21	
	14'	W6x12	W6x15	W6x15	W6x15	W6x15	W6x15	W6x18	W8x18	W8x18	W8x18	W8x21	W8x21	
	16'	W6x15	W6x15	W6x15	W8x18	W8x18	W8x18	W8x21	W8x21	W8x21	W8x21	W10x26	W10x26	
10'	8'	W6x9	W6x9	W6x9	W6x9	W6x12	W6x12	W6x12	W6x15	W8x18	W8x18	W8x18	W10x22	
	10'	W6x9	W6x12	W6x12	W6x12	W6x15	W6x15	W8x18	W8x18	W8x18	W8x18	W8x18	W10x22	
	12'	W6x12	W6x12	W6x15	W6x15	W8x18	W8x18	W8x18	W8x18	W8x18	W8x21	W8x21	W10x26	
	14'	W6x15	W6x15	W6x15	W8x18	W8x18	W8x18	W8x21	W8x21	W8x21	W8x21	W10x26	W10x26	
	16'	W6x15	W6x15	W8x18	W8x18	W8x21	W8x21	W8x21	W8x21	W10x26	W10x26	W10x26	W10x26	
12'	8'	W6x9	W6x9	W6x12	W6x12	W6x15	W8x18	W8x18	W8x18	W8x18	W10x22	W12x26	W12x26	
	10'	W6x9	W6x12	W6x12	W6x15	W6x15	W8x18	W8x18	W8x18	W10x22	W10x22	W12x26	W12x26	
	12'	W6x12	W6x12	W6x15	W8x18	W8x18	W8x18	W8x21	W8x21	W10x22	W10x22	W12x26	W12x26	
	14'	W6x15	W6x15	W8x18	W8x18	W8x18	W8x21	W8x21	W10x22	W10x26	W10x26	W12x26	W12x26	
	16'	W6x15	W8x18	W8x18	W8x21	W8x21	W8x21	W10x26	W10x26	W10x26	W10x26	W12x26	W12x26	
14'	8'	W6x9	W6x9	W6x12	W6x12	W6x15	W8x18	W8x18	W8x18	W8x21	W12x26	W14x30	W14x30	
	10'	W6x12	W6x12	W6x15	W6x15	W8x18	W8x18	W8x18	W10x22	W12x26	W12x26	W14x30	W14x30	
	12'	W6x12	W6x15	W8x18	W8x18	W8x18	W8x21	W8x21	W10x22	W12x26	W12x26	W14x30	W14x30	
	14'	W6x15	W6x15	W8x18	W8x18	W8x21	W8x21	W10x22	W10x26	W10x26	W12x26	W12x26	W14x30	
	16'	W6x15	W8x18	W8x21	W8x21	W10x22	W10x26	W10x26	W10x26	W12x26	W14x30	--	--	
16'	8'	W6x9	W6x9	W6x12	W6x12	W8x18	W8x18	W8x18	W8x18	W10x22	W12x26	W14x30	--	
	10'	W6x12	W6x12	W6x15	W8x18	W8x18	W8x18	W8x18	W10x22	W10x26	W12x26	W14x30	--	
	12'	W6x15	W6x15	W8x18	W8x18	W8x21	W8x21	W10x26	W10x26	W10x26	W12x26	W14x30	--	
	14'	W6x15	W8x18	W8x18	W8x21	W8x21	W10x26	W10x26	W10x26	W10x26	W12x26	W14x30	--	
	16'	W8x18	W8x18	W8x21	W8x21	W10x26	W10x26	W10x26	W12x26	--	--	--	--	
18'	8'	W6x9	W6x12	W6x12	W6x15	W8x18	W8x18	W8x18	W10x22	W12x26	--	--		
	10'	W6x12	W6x15	W6x15	W8x18	W8x18	W8x18	W8x21	W10x22	W12x26	W14x30	--		
	12'	W6x15	W6x15	W8x18	W8x18	W8x21	W8x21	W10x26	W10x26	W12x26	W14x30	--		
	14'	W6x15	W8x18	W8x21	W8x21	W10x22	W10x26	W10x26	W10x26	W12x26	--	--		
	16'	W8x18	W8x21	W8x21	W10x26	W10x26	W10x26	W12x26	--	--	--	--		
20'	8'	W6x9	W6x12	W6x15	W8x18	W8x18	W8x18	W10x22	W10x26	W12x26	--	--		
	10'	W6x12	W6x15	W8x18	W8x18	W8x18	W8x18	W10x22	W12x26	W14x30	--	--		
	12'	W6x15	W6x15	W8x18	W8x21	W8x21	W10x22	W10x26	W12x26	W14x30	--	--		
	14'	W8x18	W8x18	W8x21	W8x21	W10x26	W10x26	W10x26	W12x26	--	--	--		
	16'	W8x18	W8x21	W10x26	W10x26	W10x26	W12x26	--	--	--	--	--		



SEE FOOTING DETAIL
POST SPACING DETAIL

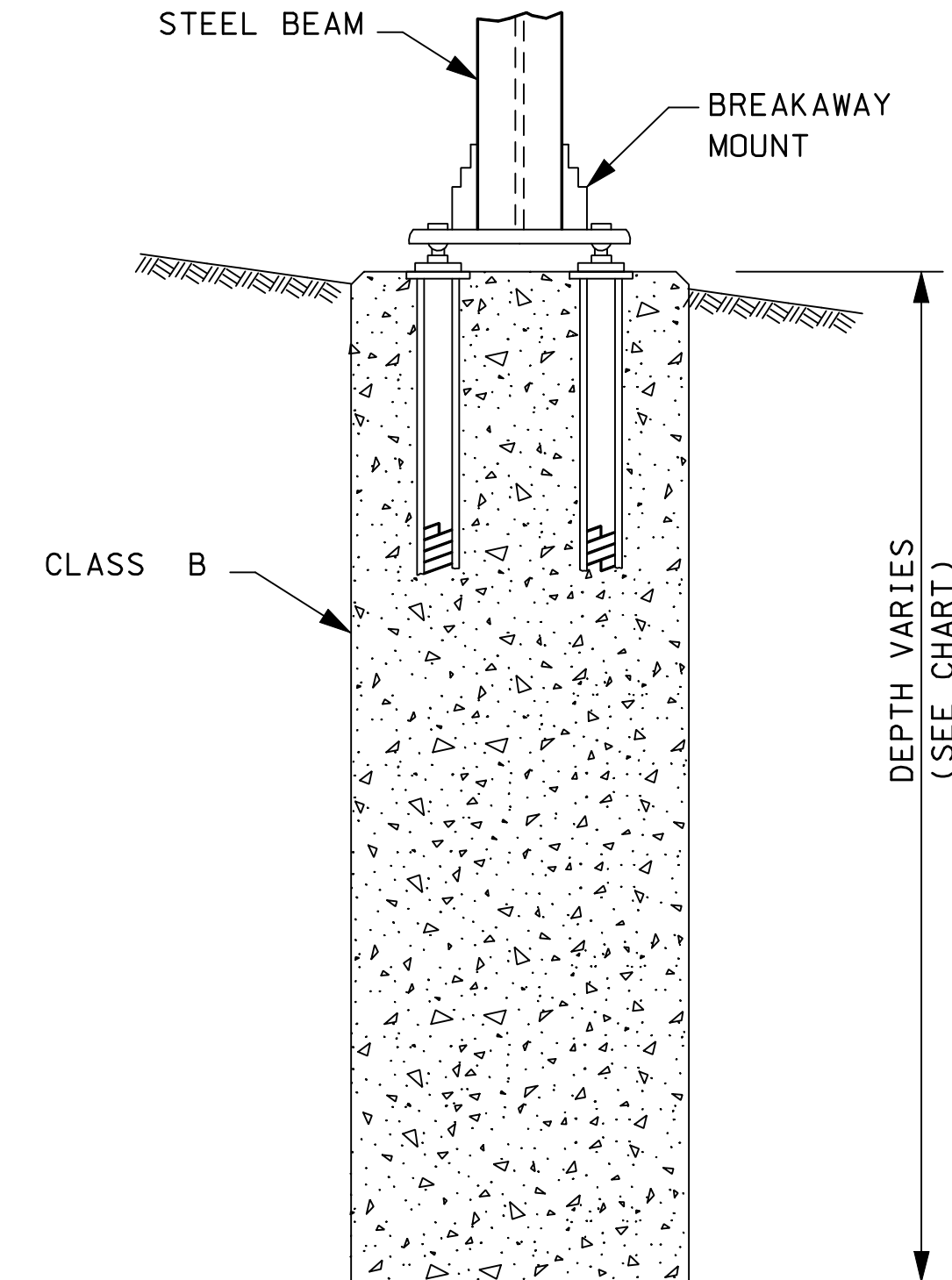


MAXIMUM BREAKAWAY STUB HEIGHT

BREAKAWAY SUPPORTS PLACED ON ROADSIDE SLOPES SHALL NOT ALLOW IMPACTING VEHICLES TO SNAG ON EITHER THE FOUNDATION OR ANY SUBSTANTIAL REMAINS OF THE SUPPORT. SURROUNDING TERRAIN SHALL BE GRADED TO PERMIT VEHICLES TO PASS OVER ANY NON-BREAKAWAY PORTION OF THE SIGN INSTALLATION WHICH REMAINS IN THE GROUND OR RIGIDLY ATTACHED TO THE FOUNDATION.

GENERAL NOTES

- SIGNS SHALL BE PROVIDED FOR LOCATIONS SPECIFIED ON THE PLANS OR AS DIRECTED BY THE ENGINEER. SEE SIGN TEXT LAYOUT SHEETS AND PLANS FOR SIGN SIZES AND APPROXIMATE LOCATIONS.
- DIMENSIONS, ELEVATIONS, SLOPES, AND SITUATIONS SHOWN ARE FOR ILLUSTRATIVE PURPOSES ONLY. ACTUAL CASES WILL DEPEND ON FIELD CONDITIONS.
- WHEN TWO OR MORE INDEPENDENT SIGNS ARE MOUNTED AS A SINGLE INSTALLATION, THE POST SUPPORTS SHALL BE CALCULATED WITH THE TOTAL AREA OF THE SIGNS BEING CONSIDERED AS ONE UNIT, INCLUDING AN ALLOWANCE FOR A 6" VERTICAL SPACE BETWEEN THE SIGNS.
- POST LENGTH TO BE DETERMINED BY SIGN SIZE AND LOCATION. EXACT FIELD LOCATION TO BE DETERMINED BY THE ENGINEER.
- THE MINIMUM HORIZONTAL CLEARANCE TO THE NEAR EDGE OF THE SIGN OF ANY MULTIPLE POST NON-BREAKAWAY MOUNT SIGN SHALL BE 7'-0" MIN. FROM FACE OF BEAM GUARDRAIL. OTHER TYPES OF GUARDRAIL OR BARRIER MAY REQUIRE A DIFFERENT OFFSET.
- SEE STANDARD NO. PS-1 & PS-2 FOR ADDITIONAL INFORMATION.



FOOTING DETAIL

POST SIZE	FOOTING	
	DEPTH	DIAMETER
W6x9	6'	24"
W6x12	6'	24"
W6x15	7'-6"	24"
W8x18	7'-6"	30"
W8x21	8'-6"	30"
W10x22	8'-6"	36"
W10x26	8'-6"	36"
W12x26	8'-6"	36"
W14x30	9'	36"

SIGNING STANDARD
STEEL BEAM DETAILS
BREAKAWAY

STANDARD NO. PS-7

REVISION DATE
07-13-2001
02-26-2010

*DGN FILE NAME
PS-7

STANDARD PLANS



STANDARD NO. PS-7