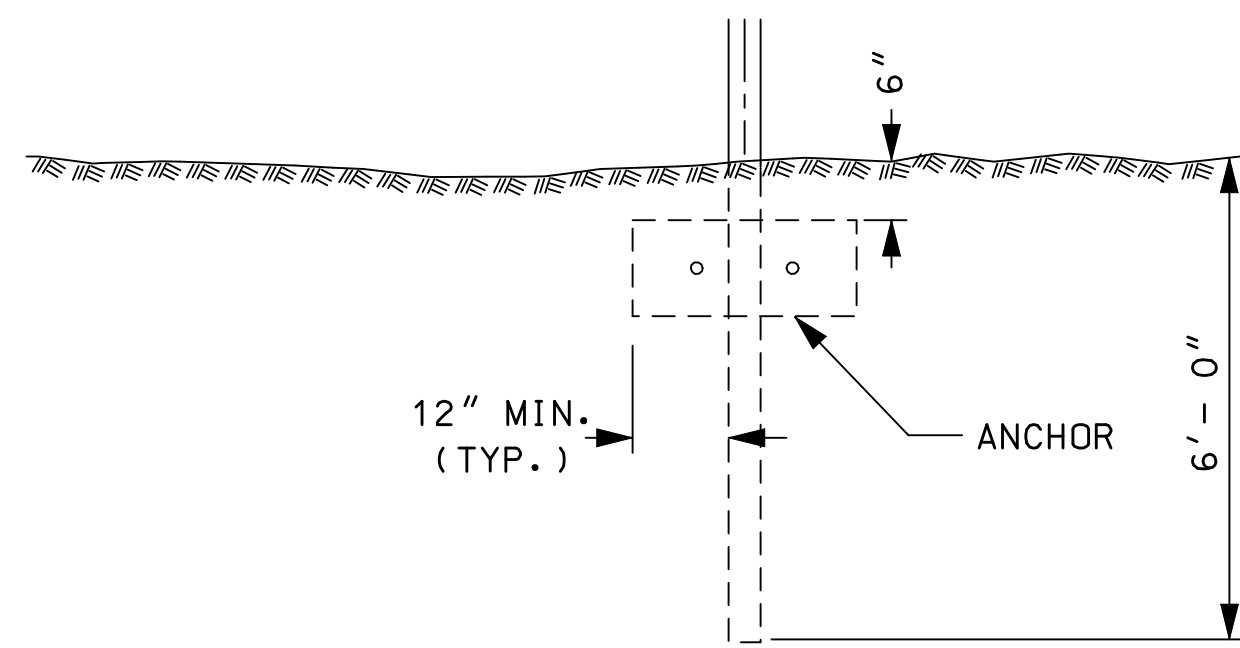


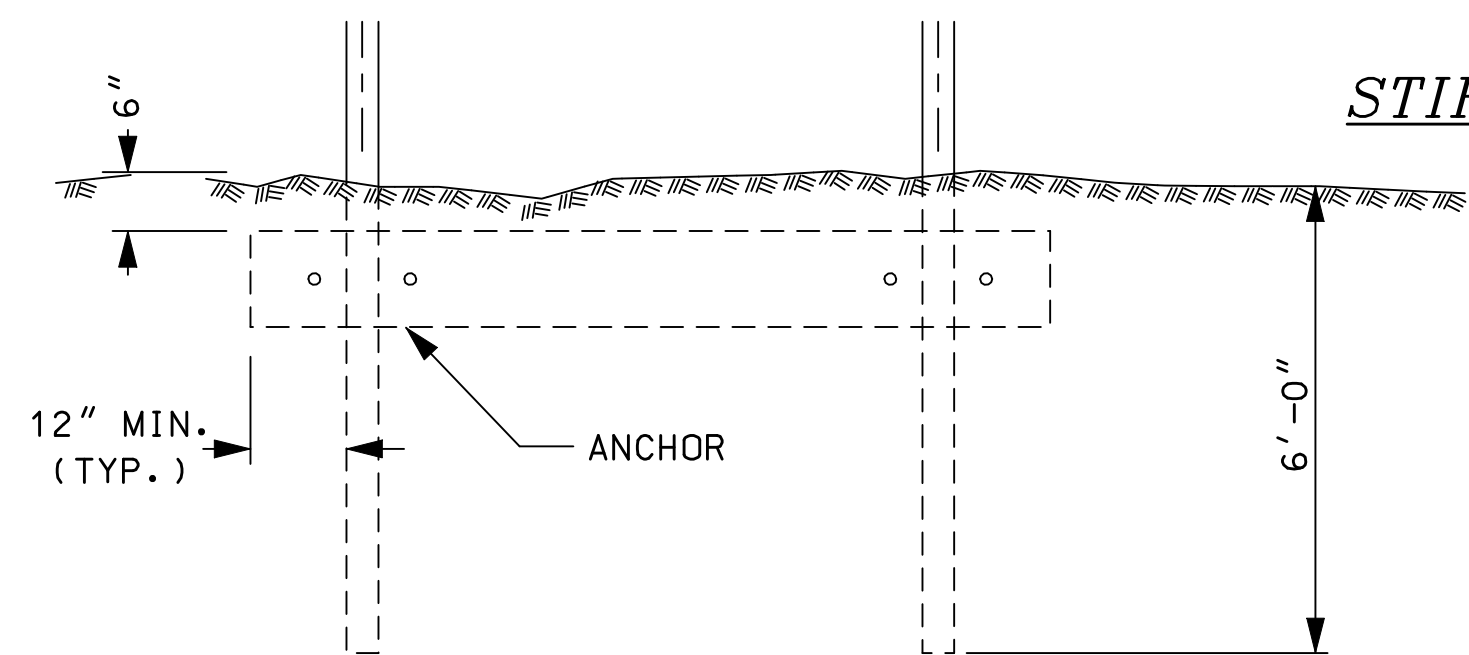
REVISION DATE
07-13-2001
02-26-2010

*DGN FILE NAME
PS-4

DIRECT BURIED

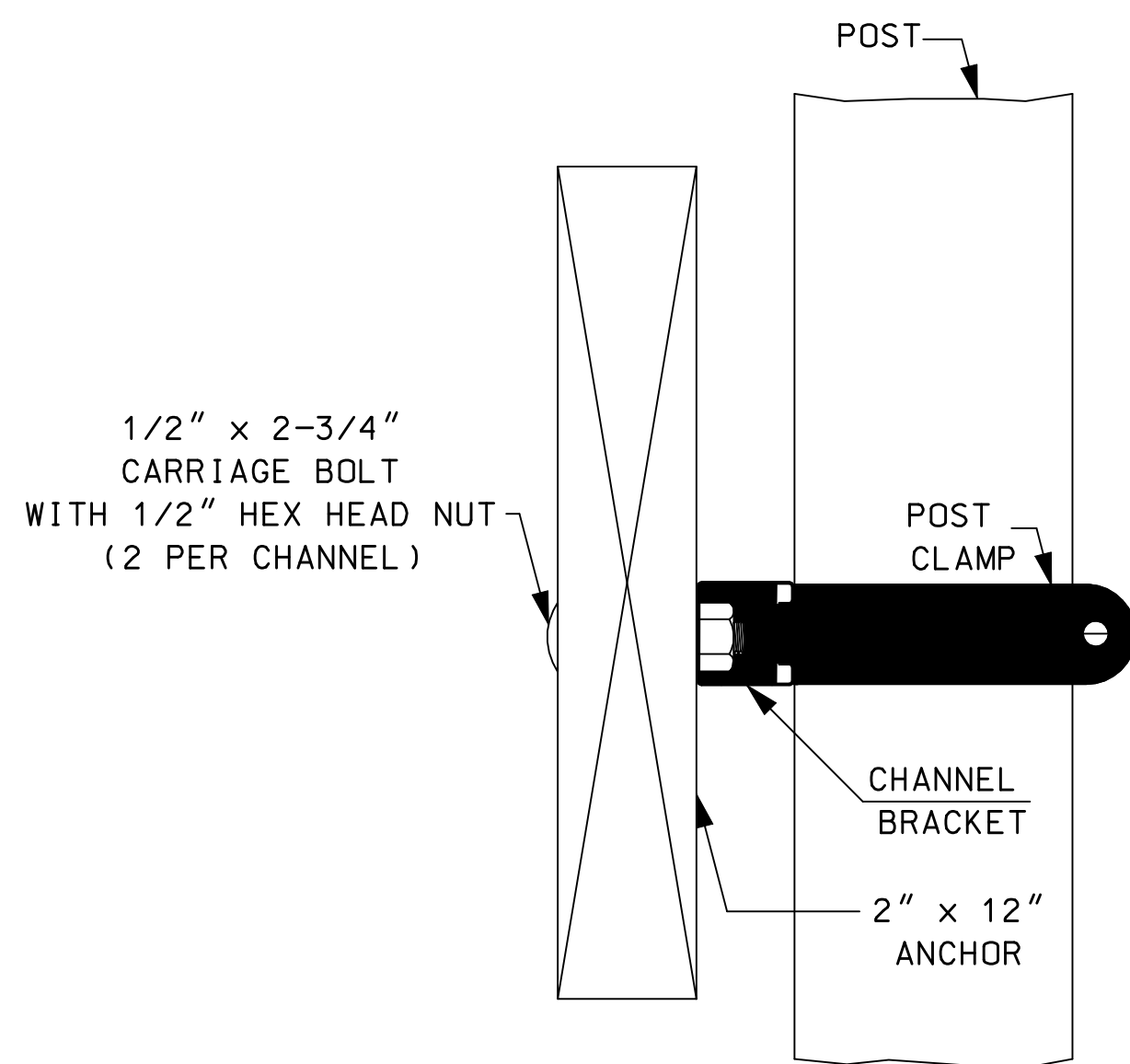


SINGLE POST



STIFFENER DETAILS

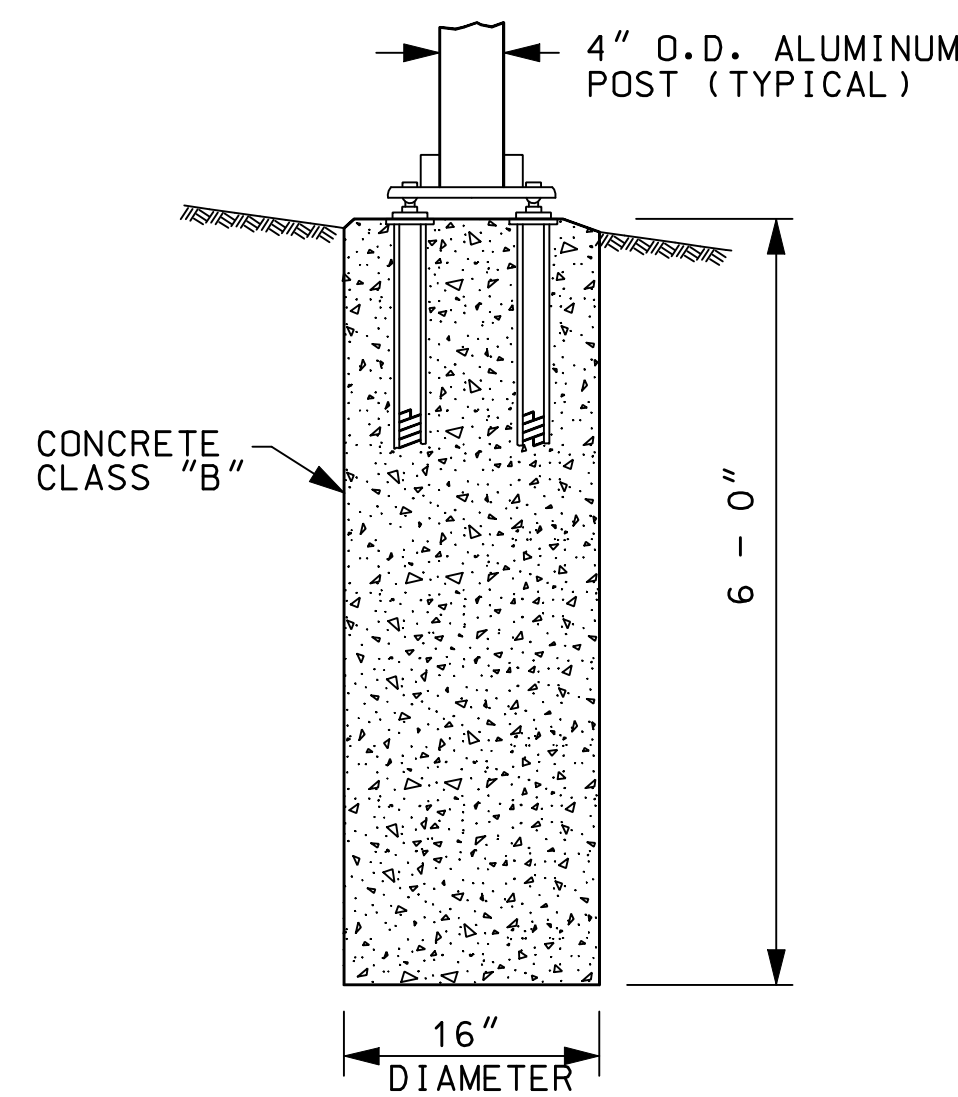
DOUBLE POST



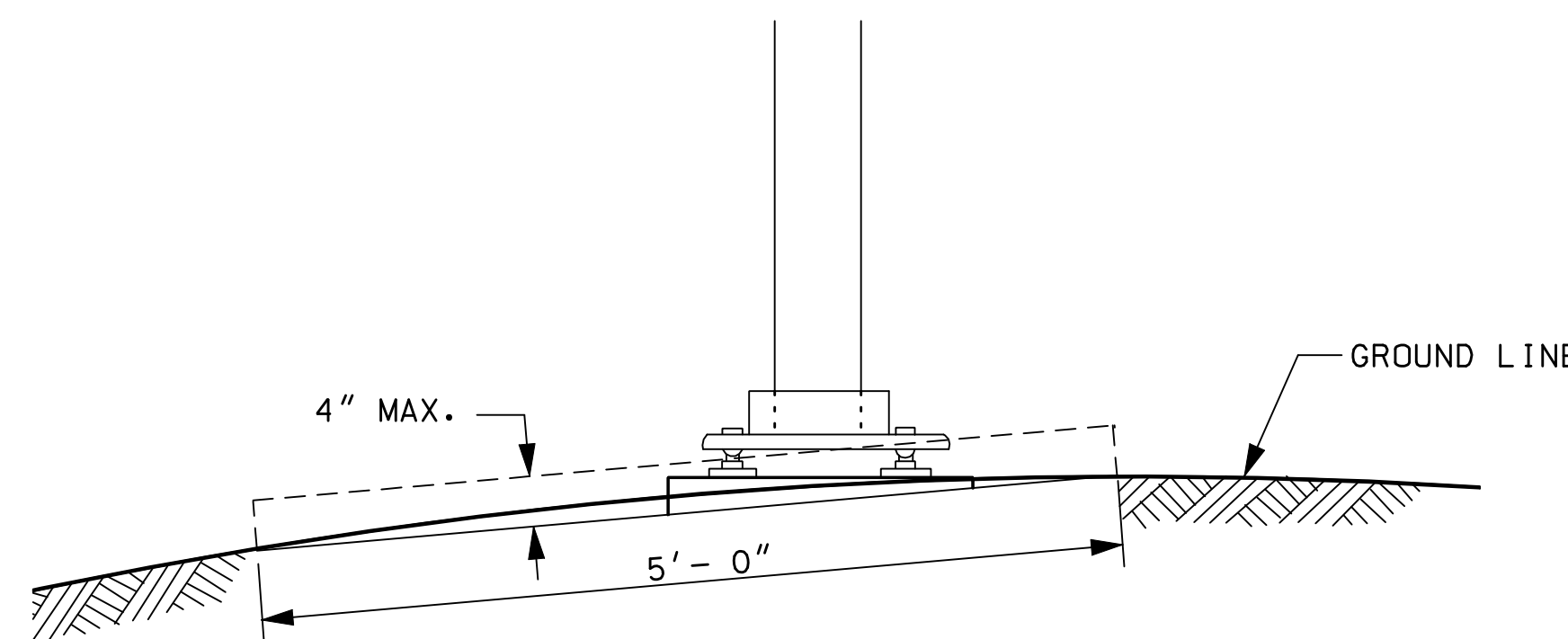
ANCHOR DETAIL

ANCHORS: USE 1 PIECE OF 2" x 12" PLANK (PRESSURE TREATED) CLAMPED TO POST WITH A MINIMUM OF 12" OVERHANG, TO BE PARALLEL WITH GROUND LINE. PLACE 2" x 12" PLANK BEHIND SIGN POST.

BREAKAWAY



FOOTING DETAIL



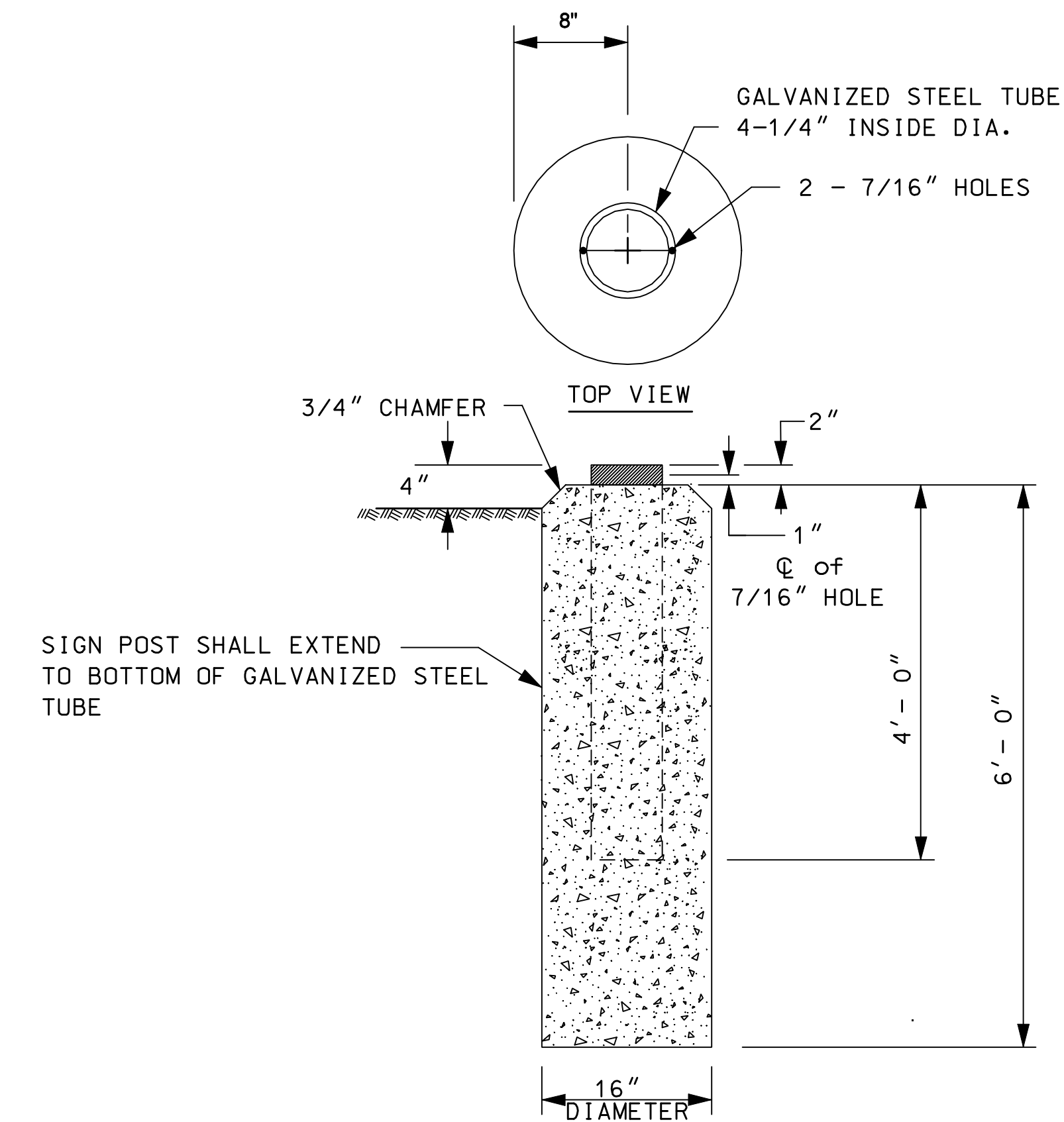
MAXIMUM BREAKAWAY STUB HEIGHT

BREAKAWAY SUPPORTS PLACED ON ROADSIDE SLOPES SHALL NOT ALLOW IMPACTING VEHICLES TO SNAG ON EITHER THE FOUNDATION OR ANY SUBSTANTIAL REMAINS OF THE SUPPORT. SURROUNDING TERRAIN SHALL BE GRADED TO PERMIT VEHICLES TO PASS OVER ANY NON-BREAKAWAY PORTION OF THE SIGN INSTALLATION WHICH REMAINS IN THE GROUND OR RIGIDLY ATTACHED TO THE FOUNDATION.

GENERAL NOTES

- MULTIPLE POST SIGNS MUST BE PROTECTED BY GUARDRAIL OR OTHER POSITIVE BARRIER, UNLESS BREAKAWAY MOUNTED.
- THE MINIMUM HORIZONTAL CLEARANCE TO THE NEAR EDGE OF THE SIGN OF ANY MULTIPLE POST NON-BREAKAWAY MOUNT SIGN SHALL BE 7'-0" MIN. FROM FACE OF BEAM GUARDRAIL. OTHER TYPES OF GUARDRAIL OR BARRIER MAY REQUIRE A DIFFERENT OFFSET.
- ALL HARDWARE SHALL BE STAINLESS STEEL UNLESS OTHERWISE NOTED.

CONCRETE BASE



SIDE VIEW

CONCRETE BASE NOTES:

- GALVANIZED STEEL TUBE 4-1/4" I.D. x 4'-2"
- CONCRETE CLASS B.
- TOP SHALL HAVE TROWEL FINISH.
- USE 5/16" x 5-1/2" LONG STAINLESS STEEL BOLT WITH STAINLESS STEEL NYLON INSERT NUT FOR SECURING POST.
- ALUMINUM CAP SHALL BE INSTALLED ON THE TOP OF THE SIGN POST WITH THIS INSTALLATION.

SIGNING STANDARD

ALUMINUM TUBING DETAILS